



## **INVITATION TO BID**

**ITB 14-01**

**Mill Creek Road**

**Bridge Repair**

**City of Brookhaven**

4362 Peachtree Road Brookhaven, GA 30319

Phone: 404-637-0480 • Fax: 404-637-0481

[www.brookhavenga.gov](http://www.brookhavenga.gov)

Invitation to Bid  
**ITB 14-01**

The City of Brookhaven is soliciting competitive sealed bids from qualified contractors for **Mill Creek Road Bridge Repairs** for the Department of Public Works.

Bids should be typed or submitted in ink and returned in a sealed container marked on the outside with the ITB 14-01 and Company Name. Bids will be received **until 2:00 P.M.** local time on **June 9, 2014** at the City of Brookhaven, 4362 Peachtree Rd, Brookhaven, Georgia 30319. Any bid received after this date and time will not be accepted. Bids will be publicly opened and read at 2:05 P.M. Apparent bid results will be available soon thereafter on our website [www.brookhavenga.gov](http://www.brookhavenga.gov).

**A Pre-Bid Conference will be held at 10:00 a.m., May 19, 2014** at the City of Brookhaven, 4362 Peachtree Rd, First Floor Meeting Room, Brookhaven, GA 30319. The conference will include a review of the Bid Documents, and a question and answer period. Attendance at the Pre-Bid Conference is **MANDATORY**. Bidders are expected to be familiar with the Bid Documents and to provide the City with any questions regarding the Bid Documents at the Pre-Bid conference or by the deadline for questions to be submitted.

Questions regarding bids should be directed to **Brad Middlebrook, Purchasing Manager, at [purchasing@brookhavenga.gov](mailto:purchasing@brookhavenga.gov) no later than June 2, 2014**. Answers will be posted as an addendum on the City's Purchasing Page. Bids are legal and binding upon the bidder when submitted. All bids should be submitted in duplicate.

The written bid documents supersede any verbal or written prior communications between the parties.

Award will be made to the supplier submitting the lowest responsive and responsible bid. The City reserves the right to reject any or all bids to waive technicalities and to make an award deemed in its best interest. Bids may be split or awarded in entirety. The City reserves the option to negotiate terms, conditions and pricing with the lowest responsive, responsible bidder(s) at its discretion.

All companies submitting a bid will be notified in writing of award.

We look forward to your bid and appreciate your interest in the City of Brookhaven.

Brad Middlebrook  
Purchasing Manager

## SCOPE OF WORK

The City of Brookhaven is seeking bids for bridge repairs to the Mill Creek Road Bridge over Nancy Creek. All construction and repairs shall be in accordance with the Georgia Department of Transportation Standard Specifications for Roads and Bridges, current edition and any Special Provision.

All Bids will be submitted as a Lump Sum Not to Exceed Cost. Proposals will include all costs necessary to complete the work including, but not limited to, traffic control, erosion control, stream bank protection, stream bank restoration caused by the repair work if necessary, dewatering, pumping, re-grading of entrance road if necessary, labor, materials, etc.

In addition to providing a Lump Sum Bid, the City is requiring the proposal to provide sub-totals in the following major work areas for this project:

- 1) Add sway bracing to pilings on Bent #4 (southerly side of creek) per standards and GDOT standards and specifications.
- 2) Clean and paint all existing steel pilings and bracings.
- 3) Add concrete encasements around all 4 pilings of bents # 3 and 4 (8 total) as per the standards and GDOT standards and specifications.
- 4) Tighten all handrail parts on both sides of the bridge deck on Mill Creek Road.
- 5) Debris removal of any and all fallen trees, logs, brush, and trash against the bridge.

The contractor is encouraged to visit the site to help in determining the scope of work, site conditions, work space, equipment access, etc.

### General Notes:

1. Work is expected to begin on or before **July 14, 2014** and be completed within 90 days.
2. The contractor is responsible for calling for utility locations prior to the start of each work. It shall be the contractor's responsibility to coordinate his work with any utility owner whom maybe in conflict with his work. No claims will be considered for extra compensation.
3. Any item which must be removed during the construction work and is not specifically called for shall be removed by the contractor. No claims will be considered for extra compensation.
4. All traffic control shall be provided by the contractor in accordance with the City of Brookhaven Public Works. Assistance from police officers will not be provided by the City. All traffic control plans must be approved by the City of Brookhaven Public Works.
5. It is the intent of this contract for each the bid to include all labor, materials, equipment, tools, transportation, and supplies as required as necessary to complete all of the work in accordance with the plans, specifications as directed, and the terms of this contract.

6. The general descriptions of each item of work are as described in the Georgia Department of Transportation's standards and specifications, complete and accepted. Any conflicts which might occur during the course of the construction work or any conflicts which might be related to the compensation of any work shall be decided based on the Georgia DOT's standards and specifications. No claims will be considered for extra compensation.
7. Should there be any conflict between the bid documents and GDOT standards and specifications, the more restrictive requirement will apply.
8. Upon the completion of each work, any excess items which might be left over from the construction related work shall be removed and disposed of properly by the contractor. The cost for such removal and disposal of such items will be included in other unit price bid. No claims will be considered for extra compensation.
9. Under this scope, "Department", "Engineer", and "Resident Engineer" shall mean the "City of Brookhaven, Georgia or City of Brookhaven, Georgia, Public Works Director or Public Works Designee".
10. Working hours are limited to Monday to Friday, 7:00 AM to 7:00 PM, Saturday 8:00 AM to 5:00 PM. Except for emergencies no work allowed on Sundays and City Holidays.
11. Contractor shall have all vehicles marked with their company name.
12. The contractor will conduct one (1) overall contract pre-construction meeting shortly after award of the contract.
13. The City of Brookhaven will not provide restroom facilities.
14. The Contractor shall perform project housekeeping/clean-up on a daily basis. A 24-hour contact must be provided to the City of Brookhaven for all issues as needed in regards to the project for any safety, signage, or other emergency as needed.
15. The Contractor's performance will be measured based on the following:
  - Compliance with the Scope of Work and GDOT Specifications.
  - Meeting agreed upon schedule dates.
16. The contractor shall obtain permission from any private property owner on whose property construction equipment may be parked. Failure to obtain permission from property owners may result in citations.
17. Proof of Commercial General Liability Insurance with coverage of not less than ONE MILLION DOLLARS (\$1,000,000.00) combined single limit per occurrence, and with contractual liability coverage for Contractor's covenants to and indemnification of the City under the Contract.

18. All Bidders are required to submit a Bid Bond or a certified check made payable to the City of Brookhaven in the amount of five percent (5%) of the total amount bid. The Bid Bond or certified check must be enclosed in the envelope with the sealed bid.
19. The awarded bidder will be required to furnish a contract Performance Bond and Payment Bond, each in the sum of 100% of the total amount bid and provide insurance coverage as required by the contract documents. Bonding Company must be licensed to do business in Georgia, licensed to do business by the Georgia Secretary of State, authorized to do business in Georgia by the Georgia Insurance Department, listed in the Department of the Treasury's Publication of Companies Holding Certificates of Authority as Acceptable Surety on Federal Bonds and as Acceptable Reinsuring Companies and have an A.M. Best rating of A-V or higher.
20. The awarded bidder will be required to submit a Maintenance Bond valid for 12 months in the amount of the total bid.
21. Schedule
- |                                       |                          |
|---------------------------------------|--------------------------|
| <b>Pre-Bid Conference (Mandatory)</b> | <b>May 19, 2014</b>      |
| <b>Questions submitted by</b>         | <b>June 2, 2014</b>      |
| <b>Bids Due (2:00 PM)</b>             | <b>June 9, 2014</b>      |
| <b>Notice of Award</b>                | <b>July 1, 2014</b>      |
| <b>Start Construction</b>             | <b>July 14, 2014</b>     |
| <b>Finish Construction</b>            | <b>October, 17, 2014</b> |
22. The attached drawings STD-1 through STD-19 are provided to identify the Scope of Work and will included as part of the Contract.

Work is to commence on or about **July 14, 2014**. The City of Brookhaven requires pricing to remain firm for the duration of the contract.

Certification of Non-Collusion in Quote Preparation \_\_\_\_\_  
Signature Date

Termination for Cause: The City may terminate this agreement for cause upon ten days prior written notice to the contractor of the contractor's default in the performance of any term of this agreement. Such termination shall be without prejudice to any of the City's rights or remedies by law.

Termination for Convenience: The City may terminate this agreement for its convenience at any time upon 30 days written notice to the contractor. In the event of the City's termination of this agreement for convenience, the contractor will be paid for those services actually performed. Partially completed performance of the agreement will be compensated based upon a signed statement of completion to be submitted by the contractor, which shall itemize each element of performance.

Termination for fund appropriation: The City may unilaterally terminate this Agreement due to a lack of funding at any time by written notice to the Contractor. In the event of the City's termination of this Agreement for fund appropriation, the Contractor will be paid for those services actually performed. Partially completed performance of the Agreement will be compensated based upon a signed statement of completion to be submitted by the Service Provider which shall itemize each element of performance.

Acknowledgement is hereby made of the following Addendum(s) received since issuance of the Contract Documents (identified by number)

Addendum No. Date \_\_\_\_\_

In compliance with the attached specifications, the undersigned offers and agrees, within ninety (90) days of the date of quote opening, to furnish any or all of the items upon which prices are quoted, at the price set opposite each item, delivered to the designated point(s) within the time specified in the quote schedule.

Legal Business Name \_\_\_\_\_

Federal Tax ID \_\_\_\_\_

Address \_\_\_\_\_

Does your company currently have a location within the City of Brookhaven? Yes  No

Representative Signature \_\_\_\_\_

Printed Name \_\_\_\_\_

Telephone Number \_\_\_\_\_

Fax Number \_\_\_\_\_

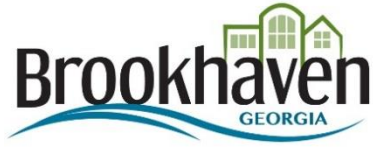
Email Address \_\_\_\_\_

## REFERENCES

List below customers for whom you have provided similar products or services.

1. COMPANY NAME: \_\_\_\_\_  
ADDRESS: \_\_\_\_\_  
\_\_\_\_\_  
CONTACT PERSON: \_\_\_\_\_  
PHONE NO.: \_\_\_\_\_  
E-MAIL: \_\_\_\_\_
  
2. COMPANY NAME: \_\_\_\_\_  
ADDRESS: \_\_\_\_\_  
\_\_\_\_\_  
CONTACT PERSON: \_\_\_\_\_  
PHONE NO.: \_\_\_\_\_  
E-MAIL: \_\_\_\_\_
  
3. COMPANY NAME: \_\_\_\_\_  
ADDRESS: \_\_\_\_\_  
\_\_\_\_\_  
CONTACT PERSON: \_\_\_\_\_  
PHONE NO.: \_\_\_\_\_  
E-MAIL: \_\_\_\_\_

Company  
Name: \_\_\_\_\_



**O.C.G.A. § 50-36-1(e)(2) Affidavit Verifying Status for City Public Benefit**  
**\*\*This form is required for ALL LICENSES/PERMITS/CONTRACTS by State Law\*\***

By executing this affidavit under oath, as an applicant for a(n) \_\_\_\_\_ [type of public benefit(s)], as referenced in O.C.G.A. § 50-36-1, from the City of Brookhaven, Georgia, the undersigned applicant verifies one of the following with respect to my application for a public benefit:

1) \_\_\_\_\_ I am a United States citizen

**(Must include copy of either current State Driver’s License, Passport, or Military ID)**

2) \_\_\_\_\_ I am a legal permanent resident of the United States\*\*

**(Must include a copy of your current State Driver’s License and a copy of your Permanent Resident Card or Employment Authorization Card)**

3) \_\_\_\_\_ I am a qualified alien or non-immigrant under the Federal Immigration and Nationality Act with an alien number issued by the Department of Homeland Security or other federal immigration agency.\*\*

**(Must include a copy of your current State Driver’s License and a copy of your Permanent Resident Card or Employment Authorization Card)**

\*\*My alien number issued by the Department of Homeland Security or other federal immigration agency is: \_\_\_\_\_.

The undersigned applicant also hereby verifies that he or she is 18 years of age or older and has provided at least one secure and verifiable document, as required by O.C.G.A. § 50-36-1(e)(1), with this affidavit.

The secure and verifiable document provided with this affidavit can best be classified as:

\_\_\_\_\_

In making the above representation under oath, I understand that any person who knowingly and willfully makes a false, fictitious, or fraudulent statement or representation in an affidavit shall be guilty of a violation of O.C.G.A. § 16-10-20, and face criminal penalties as allowed by such criminal statute.

Executed in \_\_\_\_\_ (City), \_\_\_\_\_ (State).

\_\_\_\_\_ Signature of Applicant

\_\_\_\_\_ Date

\_\_\_\_\_ Printed Name of Applicant

SUBSCRIBED AND SWORN BEFORE ME ON THIS THE \_\_\_\_ DAY OF \_\_\_\_\_, 20\_\_.

My Commission Expires: \_\_\_\_\_

\_\_\_\_\_ NOTARY PUBLIC/SEAL



\*\*\*ATTENTION\*\*\*

FAILURE TO RETURN THE FOLLOWING DOCUMENTS MAY RESULT IN BID BEING DEEMED NON-RESPONSIVE AND AUTOMATIC REJECTION:

1. FAILURE TO USE CITY BID SCHEDULE.
2. FAILURE TO RETURN APPLICABLE COMPLIANCE SHEETS/SPECIFICATION SHEETS.
3. FAILURE TO ACKNOWLEDGE APPLICABLE ADDENDA.
4. FAILURE TO PROVIDE INFORMATION ON ALTERNATES OR EQUIVALENTS.
5. THE CITY SHALL BE THE SOLE DETERMINANT OF TECHNICALITY VS. NON-RESPONSIVE BID.
6. FAILURE TO PROVIDE BID BOND, WHEN REQUIRED, WILL RESULT IN BID BEING DEEMED NON-RESPONSIVE AND AUTOMATIC REJECTION. BID BONDS ARE NOT REQUIRED ON ALL BIDS. BOND REQUIREMENTS ARE CLEARLY STATED ON THE INVITATION TO BID. IF YOU NEED CLARIFICATION, CONTACT PURCHASING.

CITY OF BROOKHAVEN

## PURCHASING DEPARTMENT

### GENERAL INSTRUCTIONS FOR BIDDERS

These Instructions will apply unless a particular item is specifically addressed in the solicitation document or not relevant to the particular type of good or service.

#### 1. PREPARATION OF BIDS:

- A. Each bidder shall examine the drawings, specifications, schedule and all instructions. Failure to do so will be at the bidder's risk, as the bidder will be held accountable for their bid response.
- B. Each bidder shall furnish all information required by the bid form or document. Each bidder shall sign the bid and print or type his or her name on the schedule. The person signing the bid must initial erasures or other changes. An authorized agent of the company must sign bids.
- C. Individuals, firms and businesses seeking an award of a City of Brookhaven contract may not initiate or continue any verbal or written communications regarding a solicitation with any City officer, elected official, employee or other City representative without the permission of Purchasing between the date of the issuance of the solicitation and the date of the final contract award. Violations will be reviewed by the Purchasing Manager. If determined that such communication has compromised the competitive process, the offer submitted by the individual, firm or business may be disqualified from consideration for award.

#### 2. DELIVERY:

- A. Each bidder should state time of proposed delivery of goods or services.
- B. Words such as "immediate," "as soon as possible," etc. shall not be used. The known earliest date or the minimum number of calendar days required after receipt of order (delivery A.R.O.) shall be stated (if calendar days are used, include Saturday, Sunday and holidays in the number).

#### 3. EXPLANATION TO BIDDERS:

Any explanation desired by a bidder regarding the meaning or interpretation of the invitation for bids, drawings, specifications, etc. must be requested by the question cutoff deadline stated in the solicitation in order for a reply to reach all bidders before the close of bid. Any information given to a prospective bidder concerning an invitation for bid will be furnished to all prospective bidders as an addendum to the invitation if such information is necessary or if the lack of such information would be prejudicial to uninformed bidders. The written bid documents supersede any verbal or written communications between parties. Receipt of addendum should be acknowledged in the bid. Although Purchasing will make every effort to send any addendum to known bidders, it is the bidder's ultimate responsibility to ensure that they have all applicable addenda prior to bid submittal. This may be accomplished via contact with Purchasing prior to bid submittal.

#### 4. SUBMISSION OF BIDS:

- A. Bids shall be enclosed in sealed envelopes, addressed to the City of Brookhaven Purchasing Office with the name of the bidder, the date and hour of opening and the invitation to bid number on the face of the envelope. Telegraphic/faxed bids will not be considered. Any addenda should be enclosed in the sealed envelopes as well.
- B. ADD/DEDUCT: Add or deduct amounts indicated on the outside of the envelope are allowed and will be applied to the lump sum amount. Amount shall be clearly stated and should be initialed by an authorized company representative.
- C. Samples of items, when required, must be submitted within the time specified and, unless otherwise specified by the City, at no expense to the City. Unless otherwise specified, samples will be returned at the bidder's request and expense if items are not destroyed by testing.
- D. Items offered must meet required specifications and must be of a quality, which will adequately serve the use and purpose for which intended.

- E. Full identification of each item bid upon, including brand name, model, catalog number, etc. must be furnished to identify exactly what the bidder is offering. Manufacturer's literature may be furnished.
- F. The bidder must certify that items to be furnished are new and that the quality has not deteriorated so as to impair its usefulness.
- G. Unsigned bids will not be considered except in cases where bid is enclosed with other documents, which have been signed. The City will determine this.
- H. The City of Brookhaven is exempt from federal excise tax and Georgia sales tax with regard to goods and services purchased directly by the City. Suppliers and contractors are responsible for federal excise tax and sales tax, including taxes for materials incorporated in City construction projects. Suppliers and contractors should contact the State of Georgia Sales Tax Division for additional information.
- I. Information submitted by a bidder in the bidding process shall be subject to disclosure after the public opening in accordance with the Georgia Open Records Act. Each page of proprietary information must be identified. Entire bid may not be deemed proprietary.

**5. WITHDRAWAL OF BID DUE TO ERRORS:**

- A. The bidder shall give notice in writing of his claim of right to withdraw his bid without penalty due to an error within two (2) business days after the conclusion of the bid opening procedure. Bids may be withdrawn from consideration if the price was substantially lower than the other bids due solely to a mistake therein, provided the bid was submitted in good faith, and the mistake was a clerical mistake as opposed to a judgment mistake, and was actually due to an unintentional arithmetic error or an unintentional omission of a quantity of work, labor or material made directly in the compilation of the bid, which unintentional arithmetic error or unintentional omission can be clearly shown by objective evidence drawn from inspection of original work papers, documents and material used in the preparation of the bid sought to be withdrawn. The bidder's original work papers shall be the sole acceptable evidence of error and mistake if he elects to withdraw his bid. If a bid is withdrawn under the authority of this provision, the lowest remaining responsive bid shall be deemed to be low bid.
- B. No bidder who is permitted to withdraw a bid shall, for compensation, supply any material or labor or perform any subcontract or other work agreement for the person or firm to whom the contract is awarded or otherwise benefit, directly or indirectly, from the performance of the project for which the withdrawn bid was submitted.
- C. Supplier has up to forty-eight (48) hours to notify Purchasing of an obvious clerical error made in calculation of bid in order to withdraw a bid after bid opening. Withdrawal of bid for this reason must be done in writing within the forty-eight (48) hour period. Suppliers who fail to request withdrawal of bid by the required forty-eight (48) hours shall automatically forfeit bid bond. Bid may not be withdrawn otherwise.
- D. Bid withdrawal is not automatically granted and will be allowed solely at the City of Brookhaven's discretion.

**6. TESTING AND INSPECTION:**

Since tests may require several days for completion, the City reserves the right to use a portion of any supplies before the results of the tests are determined. Cost of inspections and tests of any item, which fails to meet the specifications, shall be borne by the bidder.

**7. F.O.B. POINT:**

Unless otherwise stated in the invitation to bid and any resulting contract, or unless qualified by the bidder, items shall be shipped F.O.B. Destination. The seller shall retain title for the risk of transportation, including the filing for loss or damages. The invoice covering the items is not payable until items are delivered and the contract of carriage has been completed. Unless the F.O.B. clause states otherwise, the seller assumes transportation and related charges either by payment or allowance.

**8. PATENT INDEMNITY:**

The contractor guarantees to hold the City, its agents, officers or employees harmless from liability of any nature or kind for use of any copyrighted or un-copyrighted composition, secret process, patented or unpatented invention, articles or appliances furnished or used in the performance of the contract, for which the contractor is not the patentee, assignee or licensee.

**9. BID BONDS AND PAYMENT AND PERFORMANCE BONDS (IF REQUIRED):**

A five percent (5%) bid bond, a one hundred percent (100%) performance bond, and a one hundred percent (100%) payment bond shall be furnished to the City of Brookhaven for any bid as required in bid package or document. Failure to submit appropriate bonding will result in automatic rejection of bid. Bonding company must be authorized to do business in Georgia by the Georgia Insurance Commission, listed in the Department of the Treasury's publication of companies holding certificates of authority as acceptable surety on Federal bonds and as acceptable reinsuring companies, and have an A.M. Best rating as stated in the insurance requirement of the solicitation.

**10. DISCOUNTS:**

In connection with any discount offered, time will be computed from the date of delivery and acceptance at destination or from the date correct invoice or voucher is received, whichever is the later date. Payment is deemed to be made for the purpose of earning the discount, on the date of the City check.

**11. AWARD:**

- A. Award will be made to the lowest responsive and responsible bidder. The quality of the articles to be supplied, their conformity with the specifications, their suitability to the requirements of the City, and the delivery terms will be taken into consideration in making the award. The City may make such investigations as it deems necessary to determine the ability of the bidder to perform, and the bidder shall furnish to the City all such information and data for this purpose as the City may request. The City reserves the right to reject any bid if the evidence submitted by, or investigation of such bidder fails to satisfy the City that such bidder is properly qualified to carry out the obligations of the contract.
- B. The City reserves the right to reject or accept any or all bids and to waive technicalities, informalities and minor irregularities in bids received.
- C. The City reserves the right to make an award as deemed in its best interest, which may include awarding a bid to a single bidder or multiple bidders; or to award the whole bid, only part of the bid, or none of the bid to single or multiple bidders, based on its sole discretion of its best interest.

**12. DELIVERY FAILURES:**

Failure of a contractor to deliver within the time specified or within reasonable time as interpreted by the Purchasing Manager, or failure to make replacement of rejected articles/services when so requested, immediately or as directed by the Purchasing Manager, shall constitute authority for the Purchasing Manager to purchase in the open market articles/services of comparable grade to replace the articles/services rejected or not delivered. On all such purchases, the contractor shall reimburse the City within a reasonable time specified by the Purchasing Manager for any expense incurred in excess of contract prices, or the City shall have the right to deduct such amount from monies owed the defaulting contractor. Alternatively, the City may penalize the contractor one percent (1%) per day for a period of up to ten (10) days for each day that delivery or replacement is late. Should public necessity demand it, the City reserves the right to use or consume articles delivered which are substandard in quality, subject to an adjustment in price to be determined by the Purchasing Manager.

**13. CITY FURNISHED PROPERTY:**

No material, labor or facilities will be furnished by the City unless so provided in the invitation to bid.

**14. REJECTION AND WITHDRAWAL OF BIDS:**

Failure to observe any of the instructions or conditions in this invitation to bid may constitute grounds for rejection of bid.

**15. CONTRACT:**

- A. Each bid is received with the understanding that the acceptance in writing by the City of the offer to furnish any or all of the commodities or services described therein shall constitute a contract between the bidder and the City which shall bind the bidder on his part to furnish and deliver the articles quoted at the prices stated in accordance with the conditions of said accepted bid. The City, on its part, may order from such contractor, except for cause beyond reasonable control, and to pay for, at the agreed prices, all articles specified and delivered.
- B. It is understood that the bidder has reviewed the contract documents with the understanding that the City of Brookhaven requires that all agreements between the parties must be entered into via this document. If any exceptions are taken to any part, each must be stated in detail and submitted as part of the bid. If no exceptions are stated, it is assumed that the bidder fully agrees to the provisions contained in the "Sample Contract" in its entirety.
- C. When the contractor has performed in accordance with the provisions of this agreement, the City of Brookhaven shall pay to the contractor, within thirty (30) days of receipt of any department approved payment request and based upon work completed or service provided pursuant to the contract, the sum so requested, less the retainage stated in this agreement, if any.

**16. NON-COLLUSION:**

Bidder declares that the bid is not made in connection with any other bidder submitting a bid for the same commodity or commodities, and that the bid is bona fide and is in all respects fair and without collusion or fraud. An affidavit of non-collusion shall be executed by each bidder. Collusion and fraud in bid preparation shall be reported to the State of Georgia Attorney General and the United States Justice Department.

**17. DEFAULT:**

The contract may be canceled or annulled by the Purchasing Manager in whole or in part by written notice of default to the contractor upon non-performance or violation of contract terms. An award may be made to the next low responsive and responsible bidder, or articles specified may be purchased on the open market similar to those so terminated. In either event, the defaulting contractor (or his surety) shall be liable to the City for costs to the City in excess of the defaulted contract prices; provided, however, that the contractor shall continue the performance of this contract to the extent not terminated under the provisions of this clause. Failure of the contractor to deliver materials or services within the time stipulated on his bid, unless extended in writing by the Purchasing Manager, shall constitute contract default.

**18. TERMINATION FOR CAUSE:**

The City may terminate this agreement for cause upon ten days prior written notice to the contractor of the contractor's default in the performance of any term of this agreement. Such termination shall be without prejudice to any of the City's rights or remedies by law.

**19. TERMINATION FOR CONVENIENCE:**

The City may terminate this agreement for its convenience at any time upon 30 days written notice to the contractor. In the event of the City's termination of this agreement for convenience, the contractor will be paid for those services actually performed. Partially completed performance of the agreement will be compensated based upon a signed statement of completion to be submitted by the contractor, which shall itemize each element of performance.

**20. DISPUTES:**

Except as otherwise provided in the contract documents, any dispute concerning a question of fact arising under the contract which is not disposed of shall be decided after a hearing by the Purchasing Manager, who shall reduce his/her decision to writing and mail or otherwise furnish a copy thereof to

the contractor. The decision of the Purchasing Manager shall be final and binding; however, the contractor shall have the right to appeal said decision to a court of competent jurisdiction.

**21. SUBSTITUTIONS:**

Bidders offering and quoting on substitutions or who are deviating from the attached specifications shall list such deviations on a separate sheet to be submitted with their bid. The absence of such a substitution list shall indicate that the bidder has taken no exception to the specifications contained herein.

**22. INELIGIBLE BIDDERS:**

The City may choose not to accept the bid of a bidder who is in default on the payment of taxes, licenses or other monies due to the City. Failure to respond to three (3) consecutive times for any given commodity/service may result in removal from the supplier list under that commodity/service.

**23. BUSINESS LICENSE:**

Each successful bidder shall provide evidence of a valid City of Brookhaven business license if the bidder maintains an office within the City of Brookhaven. Unincorporated, out of City, and out of State bidders are required to provide evidence of a certificate to do business in any town, County or municipality in the State of Georgia, or as otherwise required by City ordinance or resolution.

**24. ALTERATIONS OF SOLICITATION AND ASSOCIATED DOCUMENTS:**

Alterations of City documents are strictly prohibited and will result in automatic disqualification of the firm's solicitation response. If there are "exceptions" or comments to any of the solicitation requirements or other language, then the firm may make notes to those areas, but may not materially alter any document language.

**25. TAX LIABILITY:**

Local and state governmental entities must notify contractors of their use tax liability on public works projects. Under Georgia law, private contractors are responsible for paying a use tax equal to the sales tax rate on material and equipment purchased under a governmental exemption that is incorporated into a government construction project: excluding material and equipment provided for the installation, repair, or expansion of a public water, gas or sewer system when the property is installed for general distribution purposes. To the extent the tangible personal property maintains its character (for example the installation of a kitchen stove), it remains tax-exempt. However, if the installation incorporates the tangible personal property into realty, e.g., the installation of sheetrock, it becomes taxable to the private contractor.

See O.C.G.A. 48-8-3(2) and O.C.G.A. 48-8-63

**26. GENERAL CONTRACTORS LICENSE:**

All General Contractors must have a current valid license from the State Licensing Board for Residential and General Contractors, unless specifically exempted from holding such license pursuant to Georgia law (O.C.G.A. Section 43-41-17).

**27. INDEMNIFICATION:**

To the fullest extent permitted by law, the Contractor shall, at his sole cost and expense, indemnify, defend, satisfy all judgments, and hold harmless the City, the engineer, and their agents and employees from and against all claims, damages, actions, judgments, costs, penalties, liabilities, losses and expenses, including, but not limited to, attorney's fees arising out of or resulting from the performance of the work, provided that any such claim, damage, action, judgment, cost, penalty, liability, loss or expense (1) is attributable to bodily injury, sickness, disease, or death, or to injury to or destruction of tangible property (other than the work itself) including the loss of use resulting there from, and (2) is caused in whole or in part by any act or omission of the Contractor, any subcontractor, anyone directly or indirectly employed by any of them or anyone for whose acts any of them may be liable, regardless whether such claim is caused in part by a party indemnified hereunder. Such obligation shall not be construed to negate, abridge or otherwise reduce any of the rights or obligations of indemnity which

would otherwise exist as to any party or person described in this agreement. In any and all claims against the City, the engineer, or any of their agents or employees by any employee of the Contractor, any subcontractor, anyone directly or indirectly employed by any of them, or anyone for whose acts any of them may be liable, the indemnification obligation contained herein shall not be limited in any way by any limitation on the amount or type of damages, compensation, or benefits payable by or for the Contractor or any subcontractor under Worker's Compensation Acts, disability benefit acts, or other employee benefit acts.

**28. ENVIRONMENTAL SUSTAINABILITY**

The City of Brookhaven is committed to environmental sustainability. The City believes we have a unique opportunity to further expand our leadership in the area of environmentally preferable purchasing, and through our actions, elicit changes in the marketplace. By further incorporating environmental considerations into public purchasing, the City of Brookhaven will positively impact human health and the environment, remove unnecessary hazards from its operations, reduce costs and liabilities, and improve the environmental quality of the region. As such the City encourages the incorporation of environmental sustainability into proposals.

## SAMPLE CONTRACT

This **CONTRACT** made and entered into this \_\_\_\_\_ day of \_\_\_\_\_, 20\_\_\_\_ by and between Brookhaven, Georgia (Party of the First Part, hereinafter called the City), and \_\_\_\_\_, (Party of the Second Part, hereinafter called the Contractor).

**WITNESSETH:** That the said Contractor has agreed, and by these presents does agree with the said City, for the consideration herein mentioned and under the provision of the Performance Bond and Payment Bond required by the Specifications to furnish all equipment, tools, materials, skill and labor of every description necessary to carry out and complete in a good, firm and substantial and workmanlike manner, the work specified, in strict conformity with the drawings and specifications, together with the foregoing proposal made by the Contractor, the Advertisement, the Instructions to Bidders, General Conditions, and this Contract, shall all form essential parts to this Contract. The work covered by this Contract includes all work shown on plans and specifications and listed in the conditions and specifications to wit:

The Contractor awarded work under this contract shall commence work within ten (10) days after the issuance of the Notice to Proceed and shall fully complete all work hereunder within consecutive calendar days from and after said date.

If said work is not completed within the time stated, the Contractor shall be liable and hereby agrees to pay the City as liquidated damages and not as a penalty, the amount of Dollars and no/100 dollars (\$ \_\_\_\_\_) per day as liquidation of the extra expense incurred by the City and liquidated damages to the City.

The City shall pay and the Contractor shall receive the prices stipulated in the proposal hereto attached as full compensation for everything furnished and done by the Contractor under this contract, which shall in no event exceed (\$ \_\_\_\_\_) based on the proposal which sum shall be paid in the manner and terms specified in the Contract Documents, but before issuance of certificate of payment, if the Contractor shall not have submitted evidence satisfactory to the City that all payrolls, materials bills, and other indebtedness connected with the work have been paid, the City may withhold, in addition to the retained percentages, such amount or amounts as may be necessary to pay just claims for labor and services rendered and materials in and about the work, and such amount or amounts withheld or retained may be applied by the City to the payment of such just claims.

When the Contractor has performed in accordance with the provisions of this Contract, City shall pay to the Contractor, within thirty (30) days of receipt of any payment request based upon work completed or service provided pursuant to the Contract, the sum so requested, less the retainage stated in this Contract, if any. In the event that the City fails to pay the Contractor within sixty (60) days of receipt of a pay request based upon work completed or service provided pursuant to the Contract, the City shall pay the Contractor interest at the rate of 1/2% per month or pro rata fraction thereof, beginning the sixty-first (61st) day following receipt of the pay request. The Contractor's acceptance of progress payments or final payment shall release all claims for interest on said payments.

It is further mutually agreed between the Parties hereto that if, at any time after the execution of the Contract and the Performance Bond for its faithful performance and the Payment Bond, the first party shall deem the surety or sureties upon such bond to be inadequate to cover the performance of the work, the second party shall, at its expense, within five (5) days after the receipt



of notice from the first party to do so, furnish an additional bond or bonds in such form and amount, and with such surety or sureties as shall be satisfactory to the first party. In such event, no further payment to the second party shall be deemed to be due under this Contract until such new or additional security for the faithful performance of the work shall be furnished in a manner and form satisfactory to the first party.

The parties agree that each of the provisions included in this Contract is separate, distinct and severable from the other and remaining provisions of this Contract, and that the invalidity of any Contract provision shall not affect the validity of any other provision or provisions of this Contract.

(Signatures Next Page)

**IN WITNESS WHEREOF**, the parties hereto, acting through their duly authorized agents, have caused this **CONTRACT** to be signed, sealed and delivered.

CITY OF BROOKHAVEN, GEORGIA

By: \_\_\_\_\_

J. Max Davis, Mayor  
City of Brookhaven, Georgia

ATTEST:

\_\_\_\_\_  
Signature

\_\_\_\_\_  
Print Name  
City Clerk/ City of Brookhaven

APPROVED AS TO FORM:

\_\_\_\_\_  
Signature  
City of Brookhaven Staff Attorney

SERVICE PROVIDER: \_\_\_\_\_

BY: \_\_\_\_\_

Signature

\_\_\_\_\_  
Print Name

\_\_\_\_\_  
Title

ATTEST:

\_\_\_\_\_  
Signature

\_\_\_\_\_  
Print Name  
Corporate Secretary  
(Seal)

APPENDIX A  
SAMPLE CONTRACT AND GENERAL CONDITIONS  
***DO NOT SIGN CONTRACT. DO NOT SUBMIT WITH BID***

**GENERAL CONDITIONS**

These General Conditions will apply unless a particular item is specifically addressed in the solicitation documents

**1. SCOPE OF WORK**

The Contract will be to provide to the City in accordance with the Contract Documents. All work shall be performed in accordance with the Specifications attached hereto.

**2. REGULATIONS**

- 2.1 The Contractor shall comply with all applicable federal, state and local laws, ordinances, rules and regulations pertaining to the performance of the work specified herein.
- 2.2 The Contractor shall obtain all permits, licenses and certificates, or any such approvals of plans or specifications as may be required by Federal, State and local laws, ordinances, rules and regulations, for the proper execution of the work specified herein.
- 2.3 During the performance of this Contract, the Contractor shall keep current and, if requested by the City, provide copies of any and all licenses, registrations or permits required by applicable governing agencies. The Contractor shall keep a copy of any and all licenses, registrations and permits on the job site while performing the Contract work.

**3. WORK HOURS**

- 3.1 The Contractor shall normally perform on-site work during Standard Work Hours which are between 8:00 a.m. and 5:00 p.m., Monday through Friday, excluding City's observed holidays. The City may require the Contractor to perform work on the city's premises during Non-standard Work Hours which are outside the Standard Work Hours. Non-standard Work Hours may be arranged with prior written approval of the City. The Contractor shall advise the City no less than 48 hours in advance of its projected work schedule. The Contractor shall perform no work during City observed holidays without the prior written permission of the City.
- 3.2 In the event an emergency condition is declared by the City's Manager or his respective designee, the Contractor will perform work during such hours as requested by the City.
- 3.3 Work can be performed away from the City's premises, but in all cases, such work must be maintained and documented on the City's servers (shared drives accessed via a VPN, etc.)

**4. CONTRACTOR'S PERSONNEL**

- 4.1 The Contractor will abide by all State and Federal regulations on wages and hours of an employee dealing with the employment relationship between the Contractor and its subsidiaries or related parties and its employees, including but not limited to the Federal National Labor Relations Act, the Federal Fair Labor Standards Act, the Federal Civil Rights Act of 1964, as amended, and the Americans with Disabilities Act.
- 4.2 The Contractor shall require all prospective employees to show proof of citizenship, or proof from the United States Immigration and Naturalization Service of valid entry permits and/or work permits for legal aliens and proof that such legal aliens are eligible to be employed in the United States. This includes any requirement for participation in the DHS e-Verify or SAVE program.
- 4.3 Should the Contractor engage employees who are illiterate in English, it will be the Contractor's responsibility and obligation to train such employees to be able to identify and understand all signs and notices in and/or around the areas that relate to them or the services being performed by them pursuant to this Contract. In addition, the Contractor will have someone in attendance at all times who can communicate instructions to said employee.
- 4.4 The Contractor shall maintain a drug-free workplace within the meaning of the Georgia Drug-free Workplace Act. No employee shall be hired by a Contractor for work on the City's premises prior to such employee having tested negative for drugs. In addition, existing employees of the Contractor must be subject to drug testing by the Contractor upon reasonable suspicion of drug use. Results of all such drug tests are to be retained by the Contractor. Copies shall be provided to the City, if requested.

- 4.5 The Contractor shall transfer promptly from the City any employee or employees that the City advises are not satisfactory, and replace such personnel with employees satisfactory to the City; but in no event shall the City be responsible for monitoring or assessing the suitability of any employee or agent of the Contractor.
- 4.6 The Contractor's employees shall be instructed that no gratuities shall be solicited or accepted for any reason whatsoever from the tenants, customers or other persons at the City. The Contractor shall be responsible for ensuring that all articles found by its employees on the City's premises are turned over to the City or the City's designated agent in charge of such articles.
- 4.7 A valid driver license (Commercial Driver License, if applicable) will be required of all personnel operating motor vehicles or motorized equipment on roadways in or around the City.
- 4.8 While working on city property all Contractors' employees shall wear (when appropriate) neat-appearing business casual attire or uniforms with the company name and/or logo and footwear of a style that complies with all legal and safety requirements, including and without limitation, the requirements of OSHA.
- 4.9 Designation of Project Manager - The Contractor shall designate a Project Manager acceptable to the City for all purposes related to this Specification.
  - 4.9.1 The Project Manager shall be fully responsible for the Contractor meeting all of its obligations under this Contract. The Project Manager shall provide the City with an appropriate status report on the progress of the project every week, as well as conduct weekly team status review calls or meeting with the City during the Contract term, the day to be mutually determined as part of the Project Plan. This report may be delivered by facsimile, e-mail, U.S. postal service, or private carrier, provided it is delivered in a timely manner.
  - 4.9.2 The Project Manager shall be available, as reasonably required, to be on-site during necessary times. Such times shall be discussed between the Project Manager and the City, but the final required times will be at the City's discretion.
  - 4.9.3 In the event that the designated Project Manager terminates employment with the Contractor, or is requested by the City to be removed from the role of Project Manager (as provided in Section 4.5), the position shall be assumed by an individual with equivalent qualifications, experience, and knowledge. Such replacement shall require the City's prior approval.
  - 4.9.4 The Contractor shall not replace the approved Project Manager without written approval of the City, which approval will not be unreasonably withheld.
- 4.10 The process by which the implementation partner requests the removal of a team member from the project. If a Contractor replaces a proposed team member, the Contractor shall replace that team member with a new team member of similar experience. The City reserves the right to accept or reject any proposed or replacement team member, with or without cause, at any time during the duration of the project.

**5. ITEMS PROVIDED BY THE CITY**

- 5.1 Work Location. It shall be the sole responsibility of the Contractor to provide for project team work locations.
- 5.2 Uninterruptible Power Supply (UPS). It shall be the sole responsibility of the Contractor to provide for project team all necessary UPS.
- 5.3 Printers. It shall be the sole responsibility of the Contractor to provide for project team all necessary printers.
- 5.4 Office Space. It shall be the sole responsibility of the Contractor to provide for project team all necessary office space.
- 5.5 Utility Services. It shall be the sole responsibility of the Contractor to provide for project team all necessary utility services.
- 5.6 Employee Parking. It shall be the sole responsibility of the Contractor to provide for project team all necessary parking.

**6. TOOLS AND EQUIPMENT**

It shall be the sole responsibility of the Contractor to provide for project team all tools, parts and equipment necessary to perform work under this Contract.

**7. PERFORMANCE REQUIREMENTS**

- 7.1 The Contractor shall perform all of its obligations and functions under the Contract in accordance with the Contract specifications, industry standards and any manufacturers' specifications. The Contractor shall adjust and coordinate its activities to the needs and requirements of the City and perform its activities so as not to annoy, disturb, endanger, unreasonably interfere with or delay the operations or activities of the City.
- 7.2 The Contractor's personnel shall perform work in a neat and professional manner, and in compliance with all Federal, State, and City of Brookhaven regulations and OSHA rules and regulations shall be followed at all times.
- 7.3 Dates for commencement and completion of work shall be coordinated with the City's Authorized Representative.
- 7.4 Any work required beyond that which is specified herein shall be reported in advance to the City. At no time shall work beyond the scope be performed without prior written authorization from the City.
- 7.5 The Contractor shall utilize maximum safety precautions. Tools and equipment will be in a good state of repair, safe to use, and be used in the manner in which they were intended. The Contractor is required to inform all workers and concerned persons of the Material Safety Data on all products being utilized on this project. No materials or equipment will be left unattended or stored on the project site at any time.

**8. CONFIDENTIAL INFORMATION**

- 8.1 In the course of performing the Contract work, the Contractor may gain access to security-sensitive and other sensitive information of the City.
- 8.2 The Contractor agrees to hold all City data and information in confidence and to make such information known only to its employees and subcontractors who have a legitimate need to know such information and only after advising such persons of the Contractor's non-disclosure obligations.
- 8.3 The Contractor shall seek the City's prior written consent before using for any purpose other than the fulfillment of the Contractor's obligations hereunder, or before releasing, disclosing, or otherwise making such information available to any other person.
- 8.4 The Contractor shall employ such practices and take such actions to protect the City's information from unauthorized use or disclosure as the Contractor employs and takes to protect its own information, but in no event shall the Contractor use less than reasonable efforts to protect the City's information.
- 8.5 The provisions of this Section shall survive the expiration or earlier termination of the Contract.

**9. USE OF PREMISES**

During the progress of the work specified herein, the Contractor shall keep the premises free from accumulation of waste materials, and other debris resulting from the work. At the completion of each work day, the Contractor shall remove daily all waste materials and debris from, and about the premises as well as tools, equipment, machinery and surplus material, and leave the site clean and ready for occupancy by the City.

**10. SAFETY AND PROTECTION**

The Contractor shall be solely and completely responsible for initiating, maintaining and supervising all safety precautions and programs in connection with the work. The Contractor shall take all necessary precautions for the safety of, and shall provide the necessary protection to prevent damage, injury or loss to all employees on the work site and other persons including, but not limited to, the general public who may be affected thereby.

**11. COMPENSATION - INVOICE AND PAYMENT FOR SERVICES**

- 11.1 The City shall pay the Contractor, subject to any authorized deductions, the applicable prices set forth for each service authorized by the City, and actually delivered or performed, as the case may be, by the Contractor to the satisfaction and acceptance, as appropriate, of the City. The timing of such payments shall be as set forth below in this Section.
- 11.2 The City shall pay the Contractor the price as set forth within 30 days after completion of the services, or 30 days after the City's receipt of the invoice, whichever is later. The Contractor shall invoice the City for the implementation services that were completed and accepted under the Contract, accompanied by such supporting documentation and other backup material as the City may reasonably require.
- 11.3 The Contractor shall invoice with such supporting documentation and other backup material as the City may reasonably require.

- 11.4 The Contractor shall deliver to the City for approval and acceptance, and before eligible for final payment of any amounts due, all documents and material prepared by the Contractor for the City under this Contract.
- 11.5 The City shall pay the undisputed amount of the Contractor's invoice, as it may be reduced to reflect unsubstantiated or unsatisfactory services. Items in dispute shall be paid upon the resolution of the dispute. No verification or payment of any amounts invoiced shall preclude the City from recovering any money paid in excess of that due under the terms of this Contract.
- 11.6 The Contractor shall be obligated to pay promptly all proper charges and costs incurred by the Contractor for labor and materials used for the work performed hereunder. The City shall have the right, but not the obligation, to pay directly to third parties (including subcontractors) all past due amounts owed by the Contractor to third parties for labor and materials used for the work hereunder, based on invoices submitted by such third party, and all such amounts paid by the City shall be applied toward, and shall reduce, amounts owed to Contractor hereunder.
- 11.7 The Contractor shall submit all invoices to: City of Brookhaven, GA, Accounts Payable, 4362 Peachtree Rd, Brookhaven, GA 30319.

**12. COMPLIANCE WITH LAWS AND REGULATIONS**

- 12.1 The Contractor shall perform its obligations and functions hereunder in compliance with the applicable laws of the United States, the State of Georgia, DeKalb County, the City of Brookhaven, any applicable rules, regulations or directives of any agency thereof, and the applicable regulations of the City. OSHA rules and regulations shall be followed at all times. The City shall have the right (but not the obligation) to contest or challenge by any means whatsoever any law, regulation, rule or directive which in any way affects or otherwise impacts upon the Contractor's performance of its obligations and functions hereunder; the Contractor shall cooperate to the fullest extent and take whatever action (including becoming a party in any litigation) the City should reasonably request in connection with any such challenge or contest by the City.
- 12.2 The Contractor shall obtain and keep current all licenses, permits and authorizations, whether municipal, county, state or federal, required for the performance of its obligations and functions hereunder and shall pay promptly when due all fees therefore.
- 12.3 The Contractor shall abide by all applicable state and federal regulations pertaining to wages and hours of an employee; including but not limited to the Contractor's compliance with requirements of the Official Code of Georgia Annotated and relevant State Rules and Regulations.

**13. CONTRACTOR'S LIABILITY**

The Contractor shall be responsible for the prompt payment of any fines imposed on the City or the Contractor by any other federal, state or local governmental agency as a result of the Contractor's, or its subcontractor's (or the officers', directors', employees' or agents' of either), failure to comply with the requirements of any law or any governmental agency rule, regulation, order or permit. The liability of the Contractor under this Section 13 is in addition to and in no way a limitation upon any other liabilities and responsibilities which may be imposed by applicable law or by the indemnification provisions of Section 14 hereof, and such liability shall survive the expiration or earlier termination of this Contract.

**14. INDEMNIFICATION AND INSURANCE**

- 14.1 The Contractor shall indemnify, defend and hold completely harmless the City, and the members (including, without limitation, members of the City's Council, and members of the citizens' advisory committees of each), officers, employees and agents of each, from and against any and all liabilities (including statutory liability and liability under Workers' Compensation Laws), losses, suits, claims, demands, judgments, fines, damages, costs and expenses (including all costs for investigation and defense thereof, including, but not limited to, court costs, paralegal and expert fees and reasonable attorneys' fees) which may be incurred by, charged to or recovered from any of the foregoing by (i) reason or on account of damage to or destruction or loss of any property of the City, or any property of, injury to or death of any person resulting from or arising out of or in connection with the performance of this Contract, or the acts or omissions of the Contractor's directors, officers, agents, employees, subcontractors, licensees or invitees, regardless of where the damage, destruction, injury or death occurred, unless such liability, loss, suit, claim, demand, judgment, fine, damage, cost or expense was proximately caused solely by the City's negligence or by the joint negligence of the City and any person other than the Contractor or the Contractor's directors, officers, agents, employees, subcontractors, licensees, or invitees, or (ii) arising out of or in connection with the failure of the Contractor to keep, observe or perform any of the covenants or agreements in this Contract which are required to be kept, observed or performed by the Contractor, or (iii) arising out of or in connection with any claim, suit, assessment or judgment prohibited by Section 14.4 below by or in favor of any person described in Section 14.5 below, or (iv) arising out of or in connection with any action by Contractor or its directors, officers, agents, employees, subcontractors, licensees or invitees. The City agrees to give the

Contractor reasonable notice of any suit or claim for which indemnification will be sought hereunder, to allow the Contractor or its insurer to compromise and defend the same to the extent of its interests, and to reasonably cooperate with the defense of any such suit or claim. In carrying out its obligations under this section, the Contractor shall engage counsel reasonably acceptable to the City. In any suit, action, proceeding, claim or demand brought in respect of which the City may pursue indemnity, the City shall have the right to retain its own counsel, but the fees and expenses of such counsel shall be at the expense of the City unless (1) the Contractor and the City shall have mutually agreed to the contrary, (2) the Contractor has failed within a reasonable time to retain counsel reasonably satisfactory to the City, or (3) the City and the Contractor are both named parties in any such proceeding and, in the sole judgment of the City, representation of both the City and the Contractor by the same counsel would be inappropriate due to actual or potential differing interests between them. The indemnification provisions of this Section 14 shall survive the expiration or earlier termination of this Contract with respect to any acts or omissions occurring during the term of the Contract.

- 14.2 In addition to indemnification provisions stated above, if the City's use of any service, software, firmware, programming, or other item provided by or on behalf of the Contractor is enjoined due to infringement of another person or entity's intellectual property rights, the Contractor shall promptly, at its sole cost and expense, modify the infringing item so that it no longer infringes, procure for the City the legal right to continue using the infringing item, or procure for the City a non-infringing item, or procure for the City a non-infringing replacement item having equal or greater functional capabilities as the infringing item.
- 14.3 The Contractor shall assume all responsibility for loss caused by neglect or violation of any state, federal, municipal or agency law, rule, regulation or order. The Contractor shall give to the proper authorities all required notices relating to its performance, obtain all official permits and licenses, and pay all proper fees and taxes. It shall promptly undertake proper monetary restitution with respect to any injury that may occur to any building, structure or utility in consequence of its work. The Contractor will notify the City in writing of any claim made or suit instituted against the Contractor because of its activities in performance of the Contract.
- 14.4 No recourse under or upon any obligation, covenant or agreement contained in this Contract, or any other agreement or document pertaining to the work or services of the Contractor hereunder, as such may from time to time be altered or amended in accordance with the provisions hereof, or any judgment obtained against the City, or by the enforcement of any assessment or by any legal or equitable proceeding by virtue of any statute or otherwise, under or independent of this Contract, shall be had against any member (including, without limitation, members of the City's Council, or members of the citizens advisory committees of each), any officer, employee or agent, as such, past, present, or future of the City, either directly or through the City or otherwise for any claim arising out of or in connection with this Contract or the work or services conducted pursuant to it, or for any sum that may be due and unpaid by the City. Any and all personal liability of every nature, whether at common law or in equity, or by statute or by constitution or otherwise, of any such member, officer, employee, or agent, as such, to respond by reason of any act or omission on his or her part or otherwise for any claim arising out of or in connection with this Contract or the work or services conducted pursuant to it, or for the payment for or to the City, or any receiver therefore or otherwise, of any sum that may remain due and unpaid by the City, is expressly waived and released as a condition of and in consideration of the execution of this Contract and the promises made to the Contractor pursuant to this Contract.
- 14.5 In any and all claims against the City, or any of their officers, members, agents, servants or employees, by any employee of the Contractor, any subcontractor, anyone directly or indirectly employed by any of them or anyone for whose acts any of them may be liable, the indemnification obligation of the Contractor under this Section 14 shall not be limited in any way by any limitation on the amount or type of damages, compensation or benefit payable by or for the Contractor or any subcontractor under Workers' Compensation Acts, disability benefit acts or other employee benefit acts.
- 14.6 No provisions of Section 14 herein shall be construed to negate, abridge, or otherwise reduce any other right of indemnity that the City may have as to any party or person described therein.

14.7 Insurance

14.7.1 General Liability and Automobile Liability. The Contractor shall purchase and maintain in force during the term of the Contract, at its own cost and expense, to protect the Contractor, the City, and the members (including, without limitation, all members of the governing City's Council and the citizens' advisory committees of each), officers, agents, and employees of each, from and against any and all liabilities arising out of or in connection with the Contractor's performance of the Contract work:

- (1) Commercial general liability insurance with coverage of not less than ONE MILLION DOLLARS (\$1,000,000.00) combined single limit per occurrence, and with contractual liability coverage for Contractor's covenants to and indemnification of the City under the Contract, and

(2) Automobile liability insurance with policy limits of not less than ONE MILLION DOLLARS (\$1,000,000.00) combined single limit per accident or occurrence covering each motor vehicle operated on City property.

14.7.1.1 Self-Insured Retention. Contractor's commercial general liability insurance policies shall not be subject to a self-insured retention exceeding \$10,000, if the value of the Contract is less than \$1,000,000, and not be subject to a self-insured retention exceeding \$100,000, if the Contract is \$1,000,000 or more, unless approved by the City Manager. Contractor's automobile liability insurance policies shall not be subject to a self-insured retention exceeding \$10,000, unless approved by the City Manager.

14.7.1.2 Additional Insured Endorsement. Contractor agrees and shall cause the City their members (including, without limitation, members of the City's Council and members of the citizens' advisory committees of each), officers, employees, and agents to be named as additional insured's under such policy or policies of commercial general and automobile liability insurance.

14.7.2 Workers' Compensation and Employer's Liability. If Contractor has any employee working on City property, Contractor shall procure and maintain in force during the term of the Contract (i) workers' compensation insurance, and (ii) employer's liability insurance. The policy limits of the Contractor's employer's liability insurance shall not be less than \$100,000 for "each accident," \$500,000 for "disease policy limit," and \$100,000 for "disease each employee." If the Contractor is self insured, the Contractor shall provide proof of self-insurance and authorization to self-insure as required by applicable state laws and regulations.

14.7.3 Professional Liability Insurance. The Contractor shall purchase and maintain in force during the term of the Contract, Professional Liability insurance which will pay for damages arising out of errors or omissions in the rendering, or failure to render professional services under the Contract in the amount of at least ONE MILLION DOLLARS (\$1,000,000.00) per claim. Such insurance must contain nose and tail coverage to include work performed by the Contractor from the project's inception date and until such time as the Statue of Limitations has run for the work done on the project.

14.7.4 Deductibles. The Contractor's policies of insurance required by this Section 14.7 may require the Contractor's payment of a deductible, provided the Contractor's insurer is required to pay claims from the first dollar at 100% of the claim value without any requirement that the Contractor pay the deductible prior to its insurer's payment of the claim.

14.7.5 Other Insurance Requirements. All insurance policies required by this Section 14.7 shall provide that they are primary insurance with respect to any other valid insurance the City may possess, and that any other insurance the City does possess shall be considered excess insurance only. All such insurance shall be carried with a company or companies which meet the requirements of Section 15.2 of these General Conditions, and said policies shall be in a form satisfactory to the City. A properly completed and executed Certificate of Insurance on a form provided or approved by the City (such as a current ACORD certificate of insurance) evidencing the insurance coverage required by this Section shall be furnished to the City upon the Contractor's execution of the Contract. The Contractor shall provide the City with at least thirty (30) days' prior written notice of any adverse material change in the Contractor's required insurance coverage except that ten (10) days notice of cancellation for non-payment is required. For purposes of this Section, an "adverse material change" shall mean any reduction in the limits of the insurer's liability, any reduction, non-renewal or cancellation of any insurance coverage, or any increase in the Contractor's self-insured retention. Prior to the expiration of any such policy, the Contractor shall file with the City a certificate of insurance showing that such insurance coverage has been renewed. If the insurance coverage is canceled or reduced, the Contractor shall, within five (5) days after such cancellation or reduction in coverage, file with the City a certificate showing that the required insurance has been reinstated or provided through another insurance company or companies approved by the City. If the Contractor fails to obtain or have such insurance reinstated, the City may, if it so elects, and without waiving any other remedy it may have against the Contractor, immediately terminate this Contract upon written notice to the Contractor. The City Manager shall have the right to alter the monetary limits or coverage herein specified from time to time during the term of this Contract, and the Contractor shall comply with all reasonable requests of the City Manager with respect thereto.



**15. SURETY BONDS/LETTERS OF CREDIT/LIABILITY INSURANCE**

- 15.1 A surety Bond/Letter of Credit is not required for this Contract.
- 15.2 Liability Insurance Companies furnishing insurance coverage required by these General Conditions shall (a) be approved to issue insurance policies in the State of Georgia, and (b) must have no less than a "B+" Financial Rating and a Financial Size Category of "Class VI" or higher according to the most current edition of A.M. Best's Insurance Reports. If the liability insurer is rated by A.M. Best's Insurance Reports at an "A-" Financial Rating and a Financial Size Category of "Class VIII" or higher than the City Manager may waive the requirement for the insurer to be approved by the State of Georgia.

**16. CONTRACT ADJUSTMENTS**

- 16.1 Notwithstanding any provision herein to the contrary, the City reserves the right to modify at any time the nature, method, scope, frequency, or timing of the Contractor's obligations under this Contract (Contract Adjustments) in whatever manner it determines to be reasonably necessary for the proper completion of the Contractor's work hereunder. Both parties agree that, should any Contract Adjustments be made, the Contractor's compensation and the amount of the Performance Bond or Letter of Credit required, will be adjusted accordingly, in such amount or amounts as will be mutually agreed to by means of good faith negotiation by the City and the Contractor and, to the extent possible, by reference to any unit costs already established in the Proposal. Without exception, all deletions or additions to the scope of work will be set forth in a written Amendment to this Contract.
- 16.2 Notwithstanding the foregoing, the City shall have the right to terminate this Contract pursuant to the provisions of Section 18.2 herein should the Contractor and the City fail to reach agreement on the adjusted compensation, or the amount of the Performance Bond or Letter of Credit, within thirty (30) days after the date of the Contract Adjustment.
- 16.3 Notwithstanding the foregoing, there shall be no upward adjustment of the compensation on account of any Contract Adjustment made necessary or appropriate as a result of the mismanagement, improper act, or other failure of the Contractor, its employees, agents, or its subcontractors to properly perform its obligations and functions under this Contract.

**17. SUBCONTRACTORS**

- 17.1 The Contractor shall perform all of its obligations and functions under this Contract by means of its own employees, or by a duly qualified subcontractor which is approved in advance by the City. Such subcontractor which is an affiliate, parent, or subsidiary company; or had principal owners, relatives, management, or employees common to the Contractor; or any other party that has the ability to significantly influence the management or daily business operations of the subcontractor must be disclosed in writing to the City Manager. Goods and services provided by subcontractors which are reimbursed by the City must be bona fide arm's-lengths transactions. In the event a subcontractor is employed, the Contractor shall continuously monitor the subcontractor's performance, shall remain fully responsible to ensure that the subcontractor performs as required and itself perform or remedy any obligations or functions which the subcontractor fails to perform properly. Nothing contained herein shall be construed to prevent the Contractor from using the services of a common carrier for delivering goods to the City.
- 17.2 This Contract shall be referred to and incorporated within any contractual arrangement between the Contractor and a subcontractor and, in such contractual arrangement; the subcontractor shall give its express written consent to the provisions of this Section 17. To the extent feasible, the provisions of this Contract shall apply to any such subcontractor in the same manner as they apply to the Contractor. However, such application shall neither make any subcontractor a party to this Contract, nor make such subcontractor a third party beneficiary hereof.
- 17.3 In the event that the Contractor employs a subcontractor, then the City may require that copies of invoices for all work (including invoices submitted to the Contractor for work performed by a subcontractor) shall be submitted to the City by the Contractor and the City shall pay all compensation to the Contractor. It shall be the sole responsibility of the Contractor to deal with a subcontractor with respect to the collecting and submission of invoices and the payment of compensation. In no event shall the City have any obligation or liability hereunder to any subcontractor, including, in particular, any obligations of payment.

**18. DEFAULT AND TERMINATION**

- 18.1 In the event that:
  - 18.1.1 the Contractor shall repeatedly fail (defined for this purpose as at least three (3) failures within any consecutive twelve (12) month period) to keep, perform or observe any of the promises, covenants or agreements set forth in this Contract (provided that notice of the first two (2) failures shall have been given to the Contractor, but whether or not the Contractor shall have remedied any such failure); or

- 18.1.2 the Contractor shall fail to keep, perform or observe any promise, covenant, or agreement set forth in this Contract, and such failure shall continue for a period of more than five (5) days after delivery to the Contractor of a written notice of such breach or default; or
  - 18.1.3 the Contractor's occupational or business license shall terminate or the Contractor shall fail to provide the City with any bond, letter of credit, or evidence of insurance as required by the Contract Documents, for any reason; or
  - 18.1.4 the Contractor fails for any reason to provide the City with an acceptable renewal or replacement bond or letter of credit within the time period specified by a provision of this Contract; or
  - 18.1.5 the Contractor shall become insolvent, or shall take the benefit of any present or future insolvency statute, or shall make a general assignment for the benefit of creditors, or file a voluntary petition in bankruptcy or a petition or answer seeking an arrangement for its reorganization, or the readjustment of its indebtedness under the Federal Bankruptcy laws, or under any other law or statute of the United States or any State thereof, or shall consent to the appointment of a receiver, trustee or liquidator of all or substantially all of its property; or
  - 18.1.6 the Contractor shall have a petition under any part of the Federal Bankruptcy laws, or an action under any present or future insolvency laws or statute filed against it, which petition is not dismissed within thirty (30) days after the filing thereof; or
  - 18.1.7 There is any assignment by the Contractor of this Contract or any of the Contractor's rights and obligations hereunder for which the City has not consented in writing; or
  - 18.1.8 The Contractor shall default on any other agreement entered into by and between Contractor and the City, then, in its discretion, the City shall have the right to terminate this Contract for default, which termination shall be effective upon delivery of written notice of such termination to the Contractor. In the event that the City terminates this Contract for default, or the Contractor abandons or wrongfully terminates the Contract, the Contractor shall be paid for compensation earned to the date of termination or abandonment (but the City shall have the right to reduce by off-set any amounts owed to the Contractor hereunder or under any other Contract or obligation by the amount of the City's damages and any amounts owed by the Contractor to the City), but the Contractor shall not be compensated for any profits earned or claimed after the receipt of the City's notice of termination by default or after abandonment or wrongful termination. The City's election to terminate or not to terminate this Contract in part or whole for the Contractor's default shall in no way be construed to limit the City's right to pursue and exercise any other right or remedy available to it pursuant to the terms of the Contract or otherwise provided by law or equity.
- 18.2 Notwithstanding anything else herein contained, the City may terminate this Contract in whole or in part at any time for its convenience by giving the Contractor thirty (30) days written notice. In that event, the Contractor shall proceed to complete any part of the work, as directed by the City, and shall settle all its claims and obligations under the Contract, as directed by the City. The Contractor shall be compensated by the City in accordance with the provisions hereof, including in particular Section 2 of these General Conditions, provided, however, that in no event shall Contractor be entitled to compensation for work not performed or for anticipatory profits. Contractor shall justify its claims, as requested by the City, with accurate records and data.
- 18.3 Bankruptcy and Liquidation - In the event the Contractor (1) makes an assignment for the benefit of creditors, or petition or apply to any tribunal for the appointment of a custodian, receiver, or trustee for all or a substantial part of its assets; (2) commences any proceeding under any bankruptcy, reorganization, arrangement, readjustment of debt, dissolution, or liquidation law or statute of any jurisdiction whether now or hereafter in effect; (3) has had any such petition or application filed or any such proceeding commenced against it in which an order for relief is entered or an adjudication or appointment is made, and which remains undismissed for a period of sixty (60) days or more; (4) takes any corporate action indicating its consent to, approval of, or acquiescence in any such petition, application, proceeding, or order for relief or the appointment of a custodian, receiver, or trustee for all or substantial part of its assets; or (5) permits any such custodianship, receivership, or trusteeship to continue undischarged for a period of sixty (60) days or more causing the Contractor or any third party, including, without limitation, a trustee in bankruptcy, to be empowered under state or federal law to reject this Contract or any agreement supplementary hereto, the City shall have the following rights:
- (i) In the event of a rejection of this Contract or any agreement supplementary hereto, the City shall be permitted to retain and use any back-up or archival copies of the software licensed hereunder under this Agreement for the purpose of enabling it to mitigate damages caused to the City because of the rejection of

this Contract. The City shall exert reasonable efforts to mitigate such damages by use of such back-up or archival copies.

(ii) In the event of rejection of this Contract or any agreement supplementary hereto, the City may elect to retain its rights under this Contract or any agreement supplementary hereto as provided in Section 365(n) of the Bankruptcy Code. Upon written request of the City to, as applicable, the Contractor or the bankruptcy trustee or receiver. The Contractor or such bankruptcy trustee or receiver shall not interfere with the rights of the City as licensee as provided in this Contract or in any agreement supplementary hereto to obtain the Source Material(s) from the bankruptcy trustee and shall, if requested, cause a copy of such Source Material(s) to be available to the City.

(iii) In the event of rejection of this Contract or any agreement supplementary hereto, the City may elect to retain its rights under this Contract or any agreement supplementary hereto as provided in section 365(n) of the Bankruptcy Code without prejudice to any of its rights of setoff with respect to this Contract under the Bankruptcy Code or applicable non-bankruptcy law; or In the event of a rejection of this Contract or any agreement supplementary hereto, the City may retain its rights under this Contract or any agreement supplementary hereto as provided in section 365(n) of the Bankruptcy Code without prejudice to any of its rights under section 503(b) of the Bankruptcy Code.

**19. CITY'S AUTHORIZED REPRESENTATIVE**

During the term of this Contract, the City Manager or designee may from time to time designate an individual to serve as the City's Authorized Representative and an Assistant Representative designated to serve in that capacity in the absence of the CITY'S AUTHORIZED REPRESENTATIVE, who shall have such authority to act on the City's behalf as the City Manager may from time to time actually delegate to such person, but in no event shall the CITY'S AUTHORIZED REPRESENTATIVE have authority to modify or terminate this Contract, or make final decisions with respect to amendments, time extensions, assignments, cost or payment adjustments or payment disputes.

**20. ASSIGNMENT**

Neither this Contract nor any of the Contractor's rights or obligations hereunder may be assigned by the Contractor without the City's prior written consent, which consent may be granted or withheld at the City's sole discretion. Any transfer of this Contract by merger, consolidation or liquidation (unless the stock of the Contractor is traded on a national stock exchange or in a generally recognized over the counter securities market) any change in ownership of or power to vote a majority of the outstanding voting stock or ownership interests of the Contractor shall constitute an assignment of this Contract for purposes of this Section. In the event the Contractor assigns or subcontracts or attempts to assign or subcontract any right or obligation arising under this Contract without the City's prior written consent, the City shall be entitled to terminate this Contract pursuant to the provisions of Section 17 hereof.

**21. NOTICES**

21.1 Unless otherwise stated herein, all notices or other writings which the City is required or permitted to give to the Contractor may be hand delivered, mailed via U.S. Certified Mail or sent next-day delivery by a nationally-recognized overnight delivery service to the Contractor's address set forth in the Proposal. Any such notice shall be deemed to have been delivered upon actual delivery, or one (1) day following submission to a nationally-recognized overnight delivery service for next day delivery to the Contractor, or three (3) days following submission to the Contractor by U.S. Certified Mail.

21.2 Unless otherwise stated herein, all notices or other writings which the Contractor is required or permitted to give to the City may be hand delivered to the City Manager, mailed via U.S. Certified Mail, or sent next-day delivery by a nationally-recognized overnight delivery service. Any such notice shall be deemed to have been delivered upon actual delivery, or one (1) day following submission to a nationally-recognized overnight delivery service for next day delivery to City, or three (3) days following submission to the City by U.S. Certified Mail. Any such notice shall be sent to:

City of Brookhaven, GA  
ATTN: City Manager  
4362 Peachtree Rd,  
Atlanta, GA 30319

21.3 Either party may change its notice address by written notice to the other given as provided in this section.

**22. NONDISCRIMINATION**

22.1 During the performance of this Contract, the Contractor, for itself, its assignees and successors in interest agrees as follows:

- 22.1.1 Compliance with Regulations. The Contractor shall comply with the Laws and Regulations as they may be amended from time to time (hereafter referred to as the "Regulations"), which are herein incorporated by reference and made a part of this Contract.
- 22.1.2 Nondiscrimination. The Contractor, with regard to the work performed by it during the Contract, shall not discriminate on the grounds of race, color, or national origin in the selection and retention of any subcontractor, including procurement of materials and leases of equipment. The Contractor shall not participate either directly or indirectly in the discrimination prohibited by the Regulations.
- 22.1.3 Solicitations for Subcontracts, Including Procurement of Materials and Equipment. In all solicitations either by competitive proposing or negotiation made by the Contractor for work to be performed under a subcontract, including procurement of materials or leases of equipment, each potential subcontractor or supplier shall be notified by the Contractor of the Contractor's obligations under this Contract and the Regulations relative to nondiscrimination on the grounds of race, color or national origin.
- 22.1.4 Information and Reports. The Contractor shall provide all information and reports required by the Regulations or directives issued pursuant thereto and shall permit access to its books, records, accounts, other sources or information, and its facilities as may be determined by the City to be pertinent to ascertain compliance with such Regulations, orders and instructions. Where any information required of the Contractor is in the exclusive possession of another who fails or refuses to furnish this information, the Contractor shall so certify to the City, as appropriate, and shall set forth what efforts it has made to obtain the information.
- 22.1.5 Sanctions for Noncompliance. In the event of the Contractor's noncompliance with the nondiscrimination provisions of this Contract, the City shall impose such Contract Sanctions as it may determine to be appropriate, including but not limited to:
  - 22.1.5.1 Withholding of payments to the Contractor under the Contract until the Contractor complies, and/or
  - 22.1.5.2 Cancellation, termination or suspension of the Contract, in whole or in part.
- 22.1.6 Incorporation of Provisions. The Contractor shall include the provisions of subsections 22.1.1 through 22.1.5 in every subcontract, including procurement of materials and leases of equipment, unless exempt by the Regulations or directives issued pursuant thereto. The Contractor shall take such action with respect to any subcontract or procurement as the City may direct as a means of enforcing such provisions including sanctions for noncompliance. Provided, however, that in the event the Contractor becomes involved in, or is threatened with, litigation with a subcontractor or supplier as a result of such direction, the Contractor may request the City to enter into such litigation to protect the interest of the City and, in addition, the Contractor may request the United States to enter into such litigation to protect the interests of the United States.

- 22.2 The Contractor assures the City that it will comply with the pertinent statutes, Executive Orders and such rules as are promulgated to assure that no person shall, on the grounds of race, creed, color, national origin, sex, age, marital status, or handicap be excluded from participating in any activity conducted with or benefiting from Federal assistance. This provision shall bind the Contractor from the period beginning with the initial solicitation through the completion of the Contract.

## **23. COPYING DOCUMENTS**

The Contractor hereby grants the City and its agent's permission to copy and distribute any and all materials and documents contained in, comprising, or which are otherwise submitted to the City with or in connection with the Contractor's Proposal or which are contained in the Contract Documents (the "Submittals"). The permission granted by the Contractor shall be on behalf of the Contractor and any and all other parties who claim any rights to any of the materials or documents comprising the Submittals. Such permission specifically authorizes the City and its agents to make and distribute such copies of the Submittals or portions thereof as may be deemed necessary or appropriate by the City for its own internal purposes or for responding to requests for copies from any member of the public regardless of whether the request is specifically characterized as a public records request pursuant to Georgia Code. This provision shall survive the expiration or termination of the Contract.

## **24. GENERAL PROVISIONS**

- 24.1 The Contract Documents consist of the Contract, the Proposal Forms, the Instructions to Proposers, Request for Proposals, all Addendum(s) issued prior to execution of this Contract, these General Conditions and the Specifications. Together, these documents comprise the Contract and all the documents are fully a part of the Contract as if attached to the Contract or repeated therein. Precedence of the Contract Documents shall be as

follows: (i) addendum(s) to the Contract Documents, (ii) the Contract, (iii) the General Conditions (iv) the Proposal Forms, (v) the Instructions to Proposers, (vi) the Specifications, and (vii) the Request.

- 24.2 This Contract represents the entire agreement between the parties in relation to the subject matter hereof and supersedes all prior agreements and understandings between such parties relating to such subject matter, and there are no contemporaneous written or oral agreements, terms or representations made by any party other than those contained herein. No verbal or written representations shall be relied upon outside the Contract terms and amendments. Without exception, all deletions or additions to the scope of work will be set forth in a written amendment to this Contract. No amendment, modification, or waiver of this Contract, or any part thereof, shall be valid or effective unless in writing signed by the party or parties sought to be bound or charged therewith; and no waiver of any breach or condition of this Contract shall be deemed to be a waiver of any other subsequent breach or condition, whether of a like or different nature.
- 24.3 The Contractor shall, during the term of this Contract, repair any damage caused to real or personal property of the City and/or its tenants, wherever situated, caused by the intentional, reckless, or negligent acts or omissions of the Contractor's officers, agents, or employees, and any subcontractors and their officers, agents, or employees, or, at the option of the City, the Contractor shall reimburse the City for the cost of repairs thereto and replacement thereof accomplished by or on behalf of the City.
- 24.4 The Contractor warrants to the City that no work performed or materials purchased pursuant to the Contract, whether by, from, or through the Contractor or a subcontractor, shall cause any claim, lien or encumbrance to be made against any property of the City, and the Contractor shall indemnify and save the City harmless from and against any and all losses, damages and costs, including attorneys' fees, with respect thereto. If any such claim, lien or encumbrance shall be filed, the Contractor shall, within thirty (30) days after notice of the filing thereof, cause the same to be discharged of record by payment, deposit, bond, order of a court of competent jurisdiction or otherwise. This provision shall survive the expiration or termination of the Contract.
- 24.5 The language of this Contract shall be construed according to its fair meaning, and not strictly for or against either the City or the Contractor. This Contract shall be deemed to be made, construed and performed according to the laws of the State of Georgia. Any suit or proceeding initiated for the purpose of interpreting or enforcing any provision of this Contract or any matter in connection therewith shall be brought exclusively in a court of competent jurisdiction in DeKalb County, Georgia, and the Contractor waives any venue objection, including, but not limited to, any objection that a suit has been brought in an inconvenient forum. The Contractor agrees to submit to the jurisdiction of the Georgia courts and irrevocably agrees to acknowledge service of process when requested by the City
- 24.6 The section headings herein are for the convenience of the City and the Contractor, and are not to be used to construe the intent of this Contract or any part hereof, or to modify, amplify, or aid in the interpretation or construction of any of the provisions hereof.
- 24.7 The use of any gender herein shall include all genders, and the use of any number shall be construed as the singular or the plural, all as the context may require.
- 24.8 The delay or failure of the City at any time to insist upon a strict performance of any of the terms, conditions and covenants herein shall not be deemed a waiver of that breach or any subsequent breach or default in the terms, conditions, or covenants of this Contract. The Contractor shall not be relieved of any obligation hereunder on account of its failure to perform by reason of any strike, lockout, or other labor disturbance.
- 24.9 If the City shall, without any fault, be made a party to any litigation commenced between the Contractor and a third party arising out of the Contractor's operations and activities at the premises, then the Contractor shall pay all costs and reasonable attorney's fees incurred by or imposed upon the City in connection with such litigation for all trial and appellate proceedings. The City shall give prompt notice to the Contractor of any claim or suit instituted against it by such third party. The provisions of this Section supplement and are not intended to be in lieu of the indemnification provisions of Section 5 hereof. The provisions of this Section shall survive the acceptance of the services and payment therefore, and the expiration or earlier termination of this Contract.
- 24.10 The City shall have the right to recover from the Contractor all of the City's costs and expenses incurred in enforcing the provisions of this Contract including, but not limited to, (1) the cost of administrative investigation and enforcement (including, without limitation, audit fees and costs, attorneys' fees) and (2) the cost of any trial, appellate or bankruptcy proceeding (including, without limitation, investigation costs, audit fees and costs, attorneys' fees, court costs, paralegal fees and expert witness fees). This provision shall survive the expiration or termination of the Contract.

- 24.11 The Contractor shall not during the term of the Contract knowingly hire or employ (on either a full-time or part-time basis) any employee of the City.
- 24.12 The Contractor shall be required, during the term of the Contract, at no additional cost to the City, to take such reasonable security precautions with respect to its operations at City Hall as the City in its discretion may from time to time prescribe. The Contractor shall comply with all regulations, rules and policies of any governmental authority, including the City, relating to security issues.
- 24.13 The City may, but shall not be obligated to, cure, at any time, upon five (5) days written notice to the Contractor (provided, however, that in any emergency situation the City shall be required to give only such notice as is reasonable in light of all the circumstances), any default by the Contractor under this Contract; whenever the City so cures a default by the Contractor, all costs and expenses incurred by the City in curing the default, including, but not limited to, reasonable attorneys' fees, shall be paid by the Contractor to the City on demand.
- 24.14 The City shall, in its discretion, be entitled to deduct from the compensation to which the Contractor is otherwise entitled hereunder, an amount equal to any liabilities of the Contractor to the City which are then outstanding. In the event that additional work beyond the scope of this Contract is requested by the City Manager and it results in any extra charges to the City, the Contractor shall so advise the City in writing of the amount of the extra charges. The City is not required to pay any extra charges for additional work unless such work and the charges therefore have been approved in advance and have been confirmed in writing within twenty-four (24) hours by the City Manager, in his or her exclusive discretion.
- 24.15 The Contractor is an independent contractor and nothing contained herein shall be construed as making the Contractor an employee, agent, partner or legal representative of the City for any purpose whatsoever. The Contractor acknowledges that it does not have any authority to incur any obligations or responsibilities on behalf of the City, and agrees not to hold itself out as having any such authority. Nothing contained in this Contract shall be construed to create a joint employer relationship between the City and the Contractor with respect to any employee of the Contractor or of its subcontractors.
- 24.16 The Contractor and its subcontractors, if any, shall maintain complete and accurate books and records in accordance with generally accepted accounting principles, consistently applied, and shall be in a form reasonably acceptable to the City Manager or designee. The Contractor and its subcontractors shall account for all expenses of any nature related to transactions in connection with this Contract in a manner which segregates in detail those transactions from other transactions of the Contractor and subcontractors and which support the amounts reported and/or invoiced to the City. At a minimum, the Contractor's and subcontractor's accounting for such expenses and transactions shall include such records in the form of electronic media compatible with or convertible to a format compatible with computers utilized by the City at its offices; a computer run hard copy; or legible microfilm or microfiche, together with access to the applicable reader. All such books and records and computerized accounting systems, shall upon reasonable notice from the City be made available in DeKalb County, Georgia, for inspection, examination, audit and copying by the City through and by its duly authorized representatives at any time for up to four (4) years after the year to which books and records pertain. Such inspection, examination, or audit may include, but is not limited to a review of the general input, processing, and output controls of information systems, using read only access, for all computerized applications used to record financial transactions and information. The Contractor and subcontractor shall freely lend its own assistance in a timely manner in making such inspection, examination, audit, or copying and, if such records are maintained in electronic and other machine readable format, shall provide the City and/or its representative such assistance as may be required to allow complete access to such records. The City Manager may require the Contractor and subcontractors to provide other records the City Manager, in his or her sole discretion, deems necessary to enable the City to perform an accurate inspection, examination or audit of expenses incurred in and transactions related to performance of this Contract. Such records shall be provided within thirty (30) days of request thereof. In the event that expenses incurred or reimbursed are found by such inspection, examination, or audit to have been overpaid, the Contractor and its subcontractors agree that such amounts shall be payable to the City. If, prior to the expiration of the above-stated four (4) year record retention period, any audit or investigation is commenced by the City, or any claim is made or litigation commenced relating to this Contract by the City, the Contractor, or a third party, the Contractor shall continue to maintain all such records, and the City shall continue to have the right to inspect such records in the manner stated above, until the inspection, examination, audit, claim, or litigation is finally resolved (including the determination of any and all appeals or the expiration of time for an appeal). This provision shall survive the expiration or earlier termination of this Contract. In the event of any conflict between any provision of this Contract and generally accepted accounting principles or generally accepted auditing standards, the provisions of this Contract shall control even where this Contract references such provisions or standards. In particular, without limitation, the Contractor and subcontractors shall maintain all records required under this Contract to the full extent required hereunder, even if some or all such records would not be required under such generally accepted accounting principles or auditing standards. If as a result of an inspection, examination or audit, it is established that amounts are due from the Contractor to the City, the

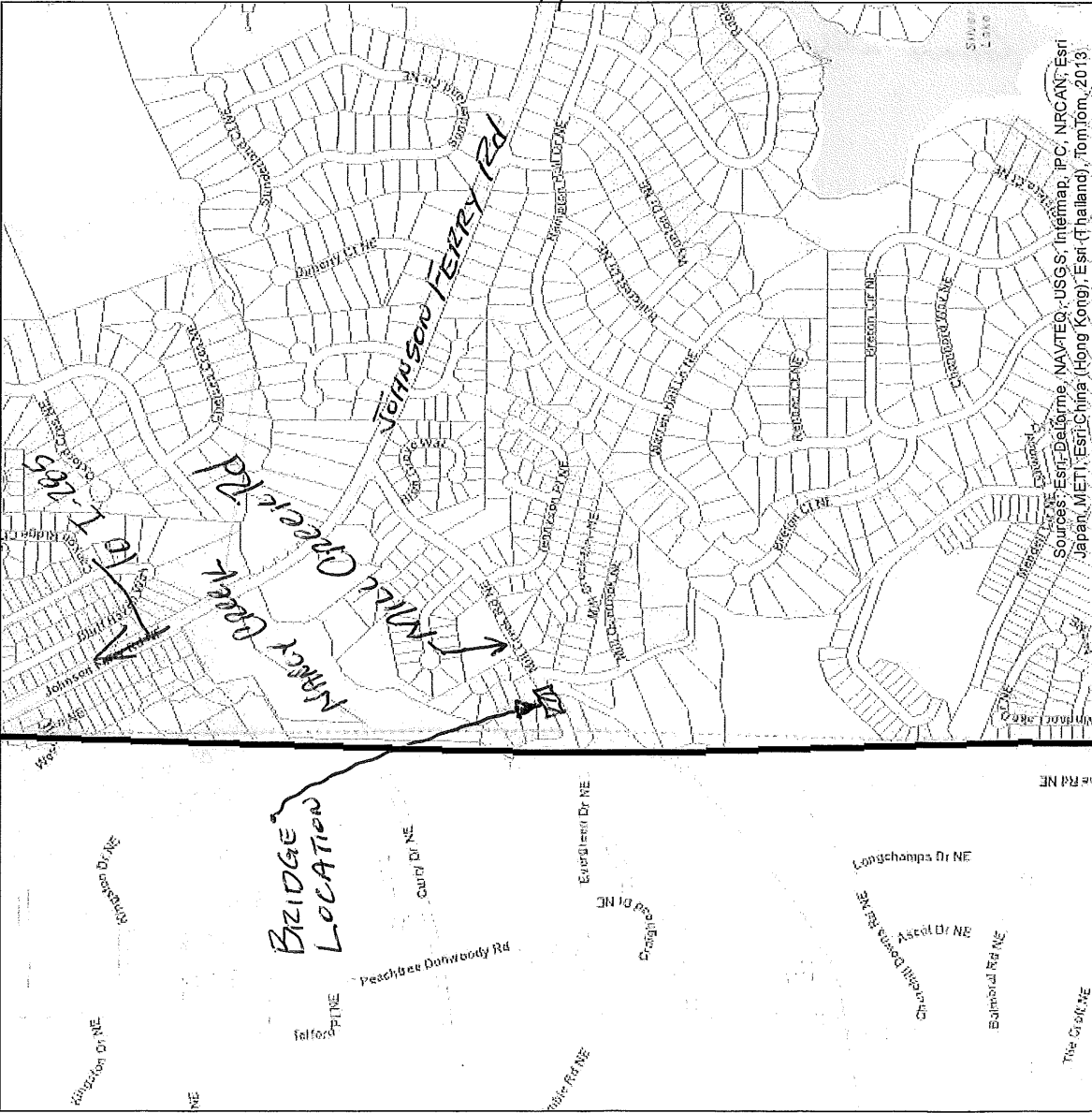
Contractor shall forthwith, upon written demand from the City, pay the City such amount, together with interest on the amount due at the rate of eighteen (18%) percent per annum, or if less, the maximum rate of interest allowed by law, from the date such additional amounts were overpaid by the City. Further if such inspection, examination or audit establishes that the Contractor has over billed such amounts for any Contract period by two (2%) percent or more, then the entire expense of such inspection, examination or audit shall be paid by the Contractor.

- 24.17 The Contractor and subcontractors shall prepare and provide the City with all detailed reports as required under the Contract on a timely basis. The City reserves the right to modify the reporting procedures or the form and content of any report as it deems necessary.
- 24.18 There are no third party beneficiaries to this Contract and nothing contained herein shall be construed to create such.
- 24.19 Time is of the essence for the performance of each of the Contractor's obligations under this Contract.
- 24.20 In computing any period of time established under this Contract, except as otherwise specified herein the word "days," when referring to a period of time that is ten (10) days or less means business days, and when referring to a period of time that is more than ten (10) days means calendar days. The day of the event, from which the designated period of time begins to run shall not be included. A business day is any day other than Saturday, Sunday, or Federal, State of Georgia or City holidays.
- 24.21 The Contractor agrees to perform all acts and execute all supplementary instruments or documents which may be reasonably necessary to carry out or complete the transaction(s) contemplated by this Contract.
- 24.22 The City reserves the right to further develop, improve, repair and alter the facilities and all roadways, and parking areas, as it may reasonably see fit, free from any and all liability to the Contractor for loss of business or damages of any nature whatsoever to the Contractor occasioned during the making of such improvements, repairs, alterations and additions, including, but not limited to, any damages resulting from negligence of the City or its employees, agents or contractors.
- 24.23 The Contractor and the City hereby mutually waive any claim against each other and their respective members, officials, officers, agents and employees for damages (including damages for loss of anticipated profits) caused by any suit or proceedings brought by either of them or by any third party directly or indirectly attacking the validity of this Contract or any part thereof, or any addendum or amendment hereto, or the manner in which this Contract was solicited, awarded or negotiated, or arising out of any judgment or award in any suit or proceeding declaring this Contract, or any addendum or amendment hereto, null, void or voidable or delaying the same, or any part thereof, from being carried out.
- 24.24 At the option of the Contractor, the products and/or services provided under the Contract resulting from this solicitation may be provided to other governmental agencies, including the State of Georgia, its agencies, political subdivisions, counties and cities under the same terms and conditions, including price, as such products and/or services are provided under this Contract. Each governmental agency allowed by the Contractor to purchase products and/or services in connection with this Contract shall do so independent of the City or any other governmental entity. Each agency shall be responsible for its own purchases and shall be liable only for goods and services ordered, received and accepted by it. The City shall have no liability to the Contractor or any governmental agency resulting from the purchase by that agency of products and/or services from the Contractor in connection with this Contract.
- 24.25 Contractor must adhere to the City's Travel Policy.

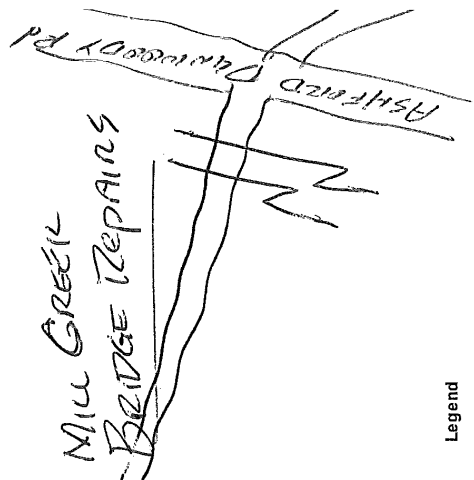
\* \* \* \* \* END OF GENERAL CONDITIONS \* \* \* \* \*

Map Title

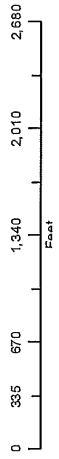
Date: 11/4/2013



# LOCATION MAP



- Legend
- City of Brookhaven
  - Neighboring Cities
  - Tax Parcel

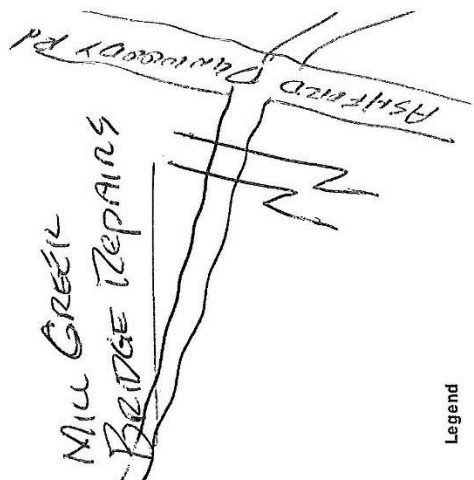
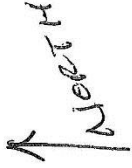


For Planning Purposes Only. The City of Brookhaven assumes no legal responsibility for the information shown on this map. Zoning information may be obtained

STD-1



# LOCATION MAP

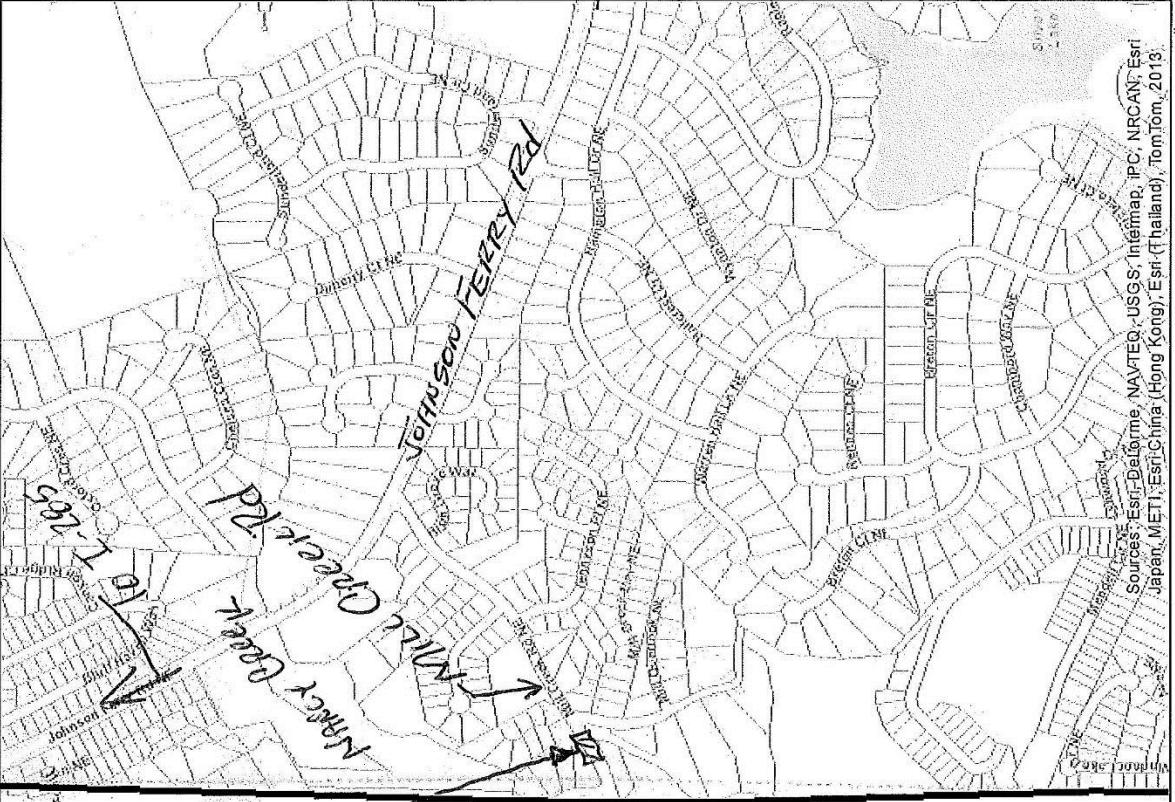


MILL CREEK  
BRIDGE REPAIRS

- Legend
- City of Brookhaven
  - Neighboring Cities
  - Tax Parcel



Map Title



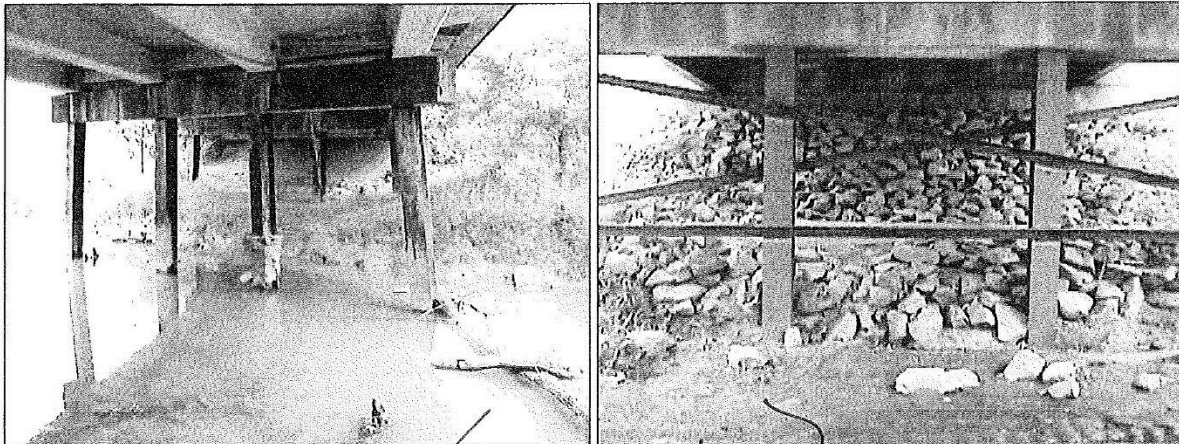
Date: 11/4/2013

BRIDGE  
LOCATION

STD-1

For Planning Purposes Only. The City of Brookhaven assumes no legal responsibility for the information shown on this map. Zoning information may be obtained

**Activity 830.08 – H-Pile Sway Bracing**



Before Repair

After Repair

THIS IS NOT  
THE ACTUAL SITE  
EXAMPLES ONLY

General Notes:

Traffic can normally be maintained onsite during this activity.

Verify all dimensions and elevations in the field prior to ordering materials or building forms. Light lines indicate the existing structure and heavy lines indicate the new structure.

Clean and paint all existing piles and swaybracing in accordance with sections 520 and 535 of the Georgia DOT Specifications. Paint shall be system 2p except the top coat shall be black, federal standard no. 595 color 27040.

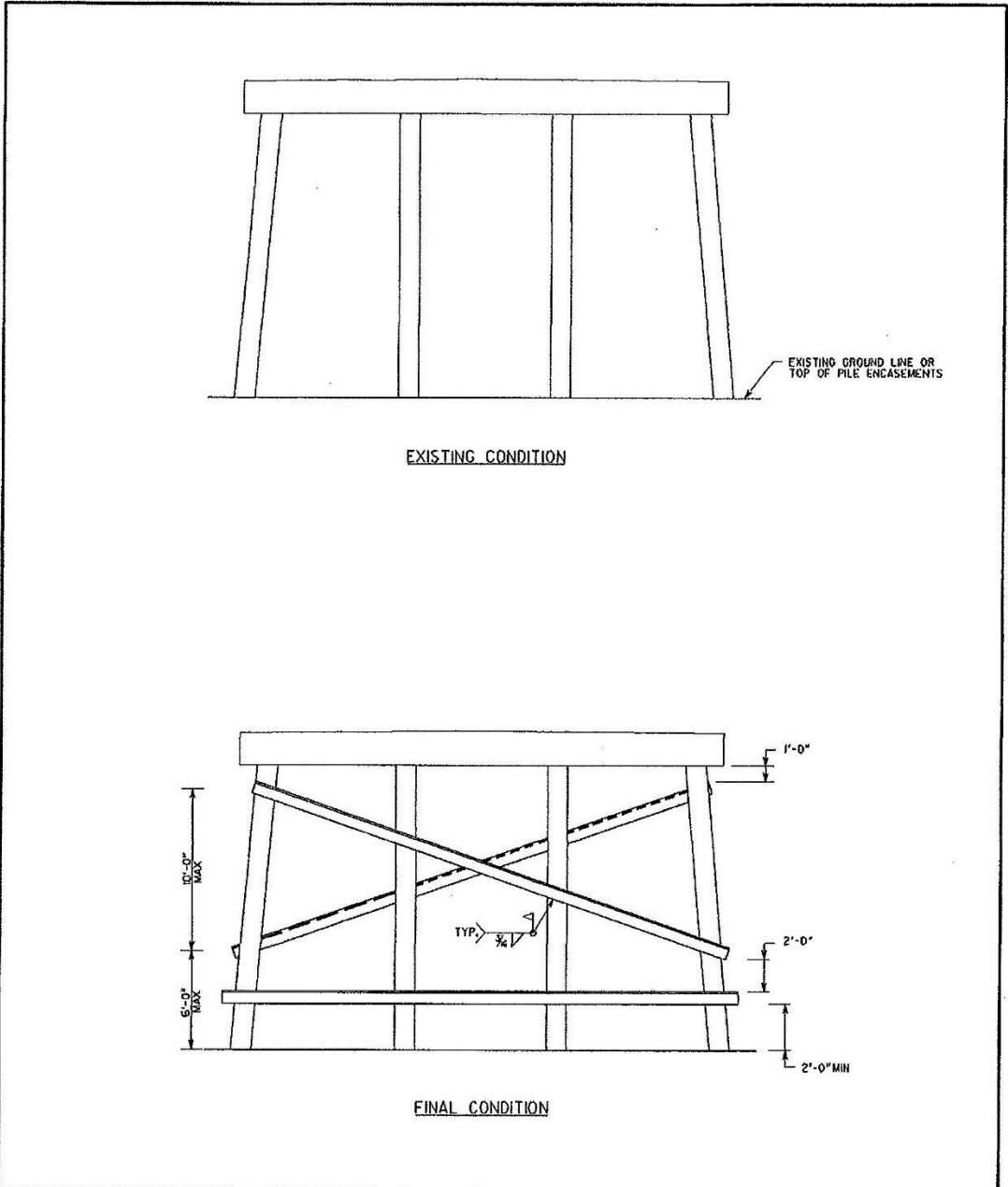
All welding shall be performed by certified welders that have in their possession a current welding certification card issued by the Office of Materials and Research. Use only e70xx (excluding e7014 and e7024) low hydrogen electrodes for manual shielded metal arc welding.

Material Specifications:

- Structural Steel, Grade 50,  $f_y = 50,000$  psi

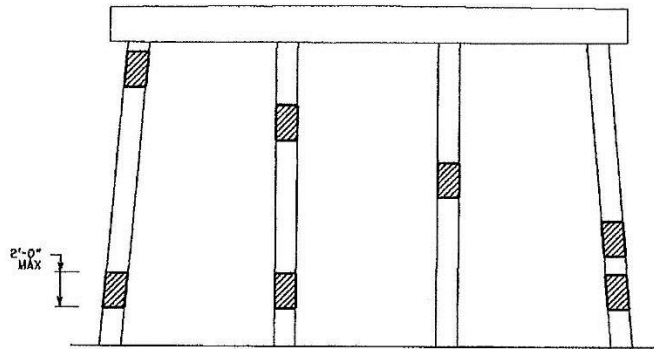
Safety


- Traffic Control – Work Zone procedures in accordance with GDOT Standard Drawings 9100-9107 and MUTCD Part 6 – Temporary Traffic Control
- Verify presence of lead paint system.
- Use special care near streams and rivers.



EQUIPMENT	MATERIALS	PERSONNEL
TRAFFIC CONTROL AS NEEDED PERSONAL SAFETY EQUIPMENT AS NEEDED PORTABLE AIR COMPRESSOR PORTABLE ELECTRIC GENERATOR SAND BLASTER / AIR GUN WELDER	3-2 4"X 4"X 1/2" APPROVED PAINT OR SEALANT SANDBLASTING MEDIA WELDING ELECTRODES	1-HIGHWAY MAINTENANCE FOREMAN 1-EQUIPMENT OPERATOR 1-WELDER 1-LABORER
GEORGIA DEPARTMENT OF TRANSPORTATION ENGINEERING DIVISION - OFFICE OF BRIDGES AND STRUCTURES	CONSTRUCTION DETAIL H-PILE SWAYBRACING NO SCALE	REVISION DATE DRAWING NO. 830.0B SHEET 1 OF 2 SEPTEMBER 20K

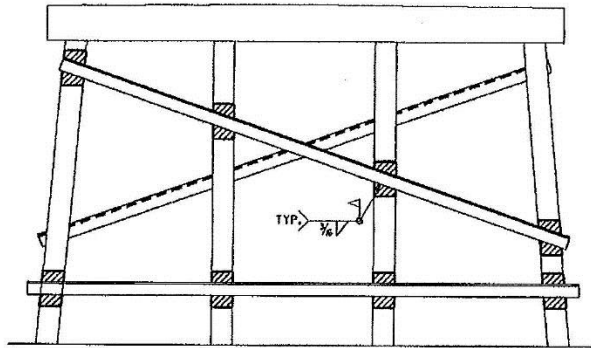
570-3



 CLEAN AREAS OF EXISTING STEEL PILE BENTS

**STEP 1**

- 1) FIELD VERIFY AND MARK LOCATIONS OF SWAYBRACING ON FRONT AND BACK OF PILES.
- 2) SANDBLAST AND CLEAN AREAS OF STEEL PILES WHERE SWAYBRACING WILL BE ATTACHED.
- 3) MEASURE THE SWAYBRACING TO BE CUT IN THE FIELD OR IN MANUFACTURER'S SHOP FOR THE 4" X 4" X 3/8" ANGLES.



**STEP 2**

- 1) PLACE STEEL SWAYBRACING AT AREAS PREVIOUS MARKED.
- 2) WELD IN PLACE.
- 3) PRIME AND PAINT SWAYBRACING AND AREAS CLEANED.

GEORGIA DEPARTMENT OF TRANSPORTATION ENGINEERING DIVISION - OFFICE OF BRIDGES AND STRUCTURES	NO SCALE	CONSTRUCTION DETAIL H-PILE SWAYBRACING	REVISION DATE	SHEET 2 OF 2
			SEPTEMBER 2008	DRAWING NO. 830.08

570-4

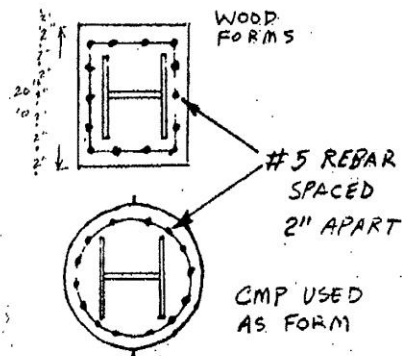
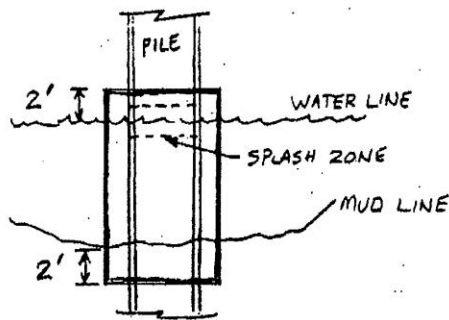
### SCOUR REPAIR

TO HOLD THE PILING USE LOTS AND LOTS OF RIP RAP

IF SCOURING CAUSES THE BRIDGE TO SETTLE MORE THAN 6" AT A BENT THEN YOU MUST JACK UP THE BRIDGE AND REPLACE OR SHIM THE BENT.

IF THE END OF A BOX CULVERT SETTLES MORE THAN 12" THE BEST REPAIR METHOD IS TO REPLACE THE END SECTION.

### CONCRETE INCASEMENT OF STEEL PILES



CONCRETE CAP SHOULD EXTEND 2' ABOVE NORMAL WATER LINE AND 2' BELOW THE MUD LINE. THE CAP SHOULD COVER THE SPLASH ZONE.

DO NOT ENCASE WOOD PILES. REPLACE WITH STEEL H PILE OR ANOTHER WOOD PILE.

STD-5

## Chapter 2 Corrective Bridge Maintenance Activities

---

Georgia Standard Specifications, Construction of Transportation Systems, 2001 Edition:  
(<http://www.dot.state.ga.us/doingbusiness/TheSource/Pages/specifications.aspx>)

- Section 501 – Steel Structures
- Section 520 - Piling
- Section 535 – Painting Structures

Department of Transportation State of Georgia Special Provisions & Supplemental Specifications:

([http://www.dot.state.ga.us/doingbusiness/TheSource/Pages/special\\_provisions.aspx](http://www.dot.state.ga.us/doingbusiness/TheSource/Pages/special_provisions.aspx))

- None

Qualified Products List:

(<http://www.dot.state.ga.us/doingbusiness/Materials/qpl/Pages/QPList.aspx>)

- QPL-18      Special Protective Coating
- QPL-59      Miscellaneous Metal Fabricators



November 28, 2012

Honorable V. Burrell Ellis, Jr., CEO  
DeKalb County Board of Commissioners  
33 W. Ponce de Leon Avenue, 6th Floor  
Decatur, Georgia 30030

Notification of Required Bridge Posting  
CR 1887 (Mill Creek Road) over Nancy Creek  
Structure ID089-5060-0

Dear Chief Officer Burrell:

Mark Dalrymple of your county was verbally advised on November 28, 2012 by George Cribb, Regional Bridge Inspection Engineer, that the load carrying capacity for this structure has been reduced. This letter will serve as your written notification of the load reduction. This structure should be posted for 10 Tons, using a Type A sign (attached).

This structure requires a load reduction due to lack of sway bracing at Bent #4. For additional information and/or for repair recommendations please contact Clayton Bennett at 404-635-2889.

If this structure is located on a school bus route this change in posting may require a rerouting of school buses. It is the responsibility of the driver of the school bus, as with all Commercial Drivers Licenses (CDL) holders, to abide by all applicable laws regarding load restrictions on any bridge structure.

Please note that all structures requiring load posting must be properly posted in accordance with the attached methods. Failure to properly post this structure will result in your county being reported as non-compliant which could result in a loss of federal funding. In addition, advance warning signs should be used in accordance with the Manual on Uniform Traffic Control Devices, current edition.

Yours very truly,

A handwritten signature in black ink, appearing to read "A. Doyle", is written over a horizontal line.

Andy Doyle, P.E.  
State Bridge Maintenance Engineer

JAD/gmc

(GDOT-1)

STO-7

~~STRUCTURE ID 089-5058-0 / LOCATION ID 089-01776X-000.16E  
CR 1776, Plantation Lane over Nancy Creek Tributary~~

~~This bridge culvert is in good condition with up to 1.5 feet of scour at both the inlet and outlet ends of the structure. This scour should be repaired with rip rap to prevent undermining. The corrugated metal portion of this structure has begun to corrode and should be cleaned and painted.~~

~~\*STRUCTURE ID 089-5059-0 / LOCATION ID 089-01869X-000.36W  
CR 1869, Nancy Creek Road over Nancy Creek Tributary~~

~~At the present time, Post this structure for 11 Tons H-Truck; 14 Tons Type 3 Truck; 18 Tons Timber Truck and 22 Tons Type 2S2 Truck.~~

~~This structure requires posting due to deterioration and cracking of the concrete deck panels. The following maintenance recommendations are provided to maintain this structure at the current rating. This all concrete bridge structure is in fair condition with minor cracking throughout the structure primarily due to age. These cracks should be sealed to protect the reinforcement steel from corrosion. Scour at bents #2 and #3 has undermined the aprons poured around the columns and should be repaired.~~

**\*STRUCTURE ID 089-5060-0 / LOCATION ID 089-01887X-000.29W  
CR 1887, Mill Creek Road over Nancy Creek**

**Post for 10 Tons, Type A Sign.**

*This bridge required posting due to excessive unbraced lengths of the pile at Bent #4. The following maintenance recommendations are provided to maintain this structure at the current rating.* This bridge structure is in fair condition due to corrosion and minor section loss of the steel piles. The steel piles throughout the structure should be cleaned and painted. The piles at bent #3 and #4 should be further protected with reinforced concrete encasements extending from points 2 feet below the mud line to a point 2 feet above normal water. The deck joints throughout the structure have failed and should be cleaned and sealed. The old abutment and trapped debris in the vicinity of bent #3 is causing erosion in the forward bank. The abutment should be removed and the scour repaired.

~~STRUCTURE ID 089-5103-0 / LOCATION ID 089-01940X-000.85N  
CR 1940, Redding Road under Norfolk Southern Railroad~~

~~This non-roadway railroad structure was inspected for clearance purposes only. The minimum vertical clearance does not require posting. Inspection of the structural components is the responsibility of the owner.~~

~~STRUCTURE ID 089-5104-0 / LOCATION ID 089-01940X-000.86N  
CR 1940, Redding Road under Marta Bridge~~

~~This non-roadway MARTA structure was inspected for clearance purposes only. The minimum vertical clearance does not require posting. Inspection of the structural components is the responsibility of the owner.~~

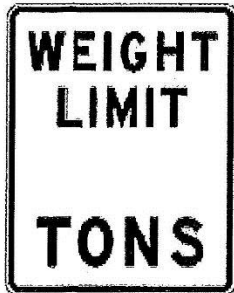
(G1007-2)

STD-8

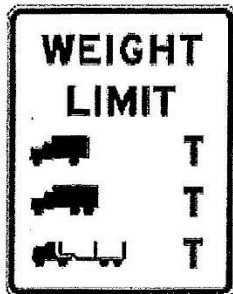


Attachment:

## Georgia Weight Limit Signs



R12-1  
GROSS WEIGHT LIMIT SIGN  
(Type A.)



MODIFIED R12-5  
WEIGHT LIMIT SYMBOL SIGN  
(Type B)

H-TRUCK

TYPE 3

TIMBER



HS-TRUCK (Add as required)



3S2 (Add as required)



FIGGYBACK (Add as required)

Revised 1-25-99

(6007-3)  
STD-9

**BRIDGE INVENTORY DATA LISTING GEORGIA DEPARTMENT OF TRANSPORTATION**

Structure ID: 089-5060-0

**Location & Geography**

DeKalb

SUFF. RATING

75.38

Structure I.D.No: 089-5060-0  
 0 Bridge Information  
 A Feature Int: NANCY CREEK  
 3 Critical Bridge: 0  
 A Route Number Carried: CR01887  
 3 Facility Carried: MILL CREEK ROAD  
 9 Location: 3.3 MI W OF CHAMBLEE  
 2 DOT District: 7  
 7 Year Photo: 2012  
 1 Inspection Frequency: 24 Date: 08/17/2012  
 A Fract Crit Insp Freq: 00 Date: 02/01/1901  
 3 Underwater Insp Freq: 00 Date: 02/01/1901  
 2 Other Spc. Insp Freq: 00 Date: 02/01/1901  
 4 Place Code: 00000  
 5 Inventory Route (O/U): 1  
 Type: 4  
 Designation: 1  
 Number: 01887  
 Direction: 0  
 6 Latitude: 33-53.5800 HMMMS Pre  
 7 Longitude: 84-20.8550 HMMMS Suf MP: 0.00  
 8 Border Bridge: 000 %Shared: 00  
 9 ID Number: 00000000000000000000  
 0 STRAHNET: 0  
 2 Base Highway Network: 1  
 A LRS Inventory Route: 892188700  
 3 Sub Inventory Route: 0  
 1 Parallel Structure: N  
 2 Direction of Traffic: 2  
 4 Road Inventory Mile Post: 000.29  
 8 Inspection Area: 07 Initials: JPD  
 Engineer's Initial: kww

**Signs & Attachments**

* 104 Highway System:	0
* 26 Functional Classification:	19
* 204 Federal Route Type:	0 No.: 00000
* 105 Federal Lands Highway:	0
* 110 Truck Route:	0
206 School Bus Route:	1
217 Benchmark Elevation:	0000.00
* 218 Datum:	0
* 19 Bypass Length:	03
* 20 Toll:	3
* 21 Maintenance:	02
* 22 Owner:	02
* 31 Design Load:	2
* 37 Historical Significance:	5
205 Congressional District:	06
27 Year Constructed:	1965
106 Year Reconstructed:	0000
33 Bridge Median:	0
34 Skew:	30
35 Structure Flared:	0
38 Navigation Control:	0
213 Special Steel Design:	0
267 Type of Paint:	3
* 42 Type of Service on:	1 Under: 5
214 Movable Bridge:	0
203 Type Bridge:	E-N-O-O
259 Pile Encasement:	0
* 43 Structure Type Main:	1 04
45 No. Spans Main:	004
44 Structure Type Appr:	0 00
46 No. Spans Appr:	0000
226 Bridge Curve Horz:	0 Vert: 1
111 Pier Protection:	0
107 Deck Structure Type:	1
108 Wearing Surface Type:	1
Membrane:	0
Protection:	0

225 Expansion Joint Type:	02
242 Deck Drains:	1
243 Parapet Location:	0
Height:	0.00
Width:	0.00
238 Curb:	1.20 1
239 Handrail:	7 7
* 240 Median Barrier Rail:	0
241 Bridge Median Height:	0.00
Width:	0.00
* 230 Guardrail Loc Dir:	Rear: 0
Fwd:	0
Oppo Dir Rear:	0
Fwd:	0
244 Approach Slab:	3
224 Retaining Wall:	0
233 Posted Speed Limit:	30
236 Warning Sign:	0
234 Delineator:	0
235 Hazard Boards:	1
237 Utilities Gas:	32
Water:	00
Electric:	00
Telephone:	00
Sewer:	00
247 Lighting Street:	0
Navigation:	0
Aerial:	0
* 248 County Continuity No.:	00

(5007-4) STD-10

Report Date: 11/28/2012

SIA-1

**BRIDGE INVENTORY DATA LISTING GEORGIA DEPARTMENT OF TRANSPORTATION**

Structure ID: 089-5060-0

DeKalb

SUFF. RATING

75.38

**gramming Data**

1 Project No.: UNKNOWN  
 2 Plans Available: 0  
 9 Prop. Proj. No. PR 1887-1 (089)PI  
 0 Approval Status: 0000  
 1 P.L. No.: 0000000  
 2 Contract Date: 02/01/1901  
 0 Seismic No.: 00000  
 5 Type Work: 00 0  
 4 Bridge Imp. Cost: \$ 0  
 5 Roadway Imp. Cost: \$ 0  
 6 Total Imp Cost: \$ 0  
 6 Imp. Length: 000000  
 7 Imp. Year: 0000  
 4 Future ADT: 002850 Year: 2030

**Measurements**

\* 29 ADT: 001900 Year: 2007  
 \* 109 % Trucks: 0  
 \* 28 Lanes On: 02 Under: 00  
 \* 210 No. Tracks On: 00 Under: 00  
 \* 48 Max. Span Length: 0033  
 \* 49 Structure Length: 132  
 \* 51 Br. Rwdy. Width: 28.00  
 \* 52 Deck Width: 34.00  
 \* 47 Tot. Horz. Cl: 28.00  
 \* 50 Curb/Sdewlk Width: 2.20/2.20  
 \* 32 Approach Rdwy Width: 030  
 \* 229 Shoulder Width:  
 Rear Lt: 0.00 Type: 7 Rt: 0.00  
 Fwd Lt: 0.00 Type: 7 Rt: 0.00  
 Pavement Width:  
 Rear: 30.00 Type: 2  
 Fwd: 30.00 Type: 2  
 Intersection Rear: 1 Fwd: 0  
 36 Safety Features Br. Rail: 2  
 Transition: 0  
 App. G. Rail: 0  
 App. Rail End: 0  
 53 Minimum Cl. Over:  
 Under: N  
 \* 228 Min. Vertical Cl  
 Act. Odm Dir: 99 ' 99 "  
 Opp. Dir: 99 ' 99 "  
 Posted Odm. Dir: 00 ' 00 "  
 Opp. Dir: 00 ' 00 "  
 55 Lateral Undercl. Rt: N 0.00  
 56 Lateral Undercl. Lt: 0.00  
 \* 10 Max Min Vert Cl: 99 ' 99 " Dir: 0  
 39 Nav Vert Cl: 000 Horz: 0000  
 116 Nav Vert Cl Closed: 000  
 245 Deck Thickness Main: 7.00  
 Deck Thick Approach: 0.00  
 246 Overlay Thickness: 0.00  
 212 Year Last Painted: Sup: 0000 Sub: 1965

**Ratings**

65 Inventory Rating Method: 2  
 63 Inventory Rating Method: 2  
 66 Inventory Type: 2 Rating: 6  
 64 Operating Type: 2 Rating: 17  
 231 Calculated Loads  
 H-Modified: 10 0  
 HS-Modified: 00 0  
 Type 3: 00 0  
 Type 3s2: 00 0  
 Timber: 00 0  
 Piggyback: 00 0

261 H Inventory Rating: 8  
 262 H Operating Rating: 17  
 67 Structural Evaluation: 5  
 58 Deck Condition: 7  
 59 Superstructure Condition: 7  
 \* 227 Collision Damage: 0  
 60A Substructure Condition: 6  
 60B Scour Condition: 6  
 60C Underwater Condition: N  
 71 Waterway Adequacy: 7  
 61 Channel Protection Cond: 5  
 68 Deck Geometry: 5  
 69 UnderCir. Horz/Vert: N  
 72 Appr. Alignment: 6  
 62 Culvert: N

**Posting Data**

70 Bridge Posting Required: 0  
 41 Struct Open, Posted, Cl: B  
 \* 103 Temporary Structure: 0  
 232 Posted Loads H-Modified: 00  
 HS-Modified: 00  
 Type 3: 00  
 Type3s2: 00  
 Timber: 00  
 Piggyback: 00  
 253 Notification Date: 11/28/2012  
 253 Fed Notify Date: 11/28/2013 0

**Hydraulic Data**

115 Waterway Data  
 Highway Elev.: 0000.0 Year: 1900  
 Avg. Streambed Elev.: 0000.0 Freq.: 000  
 Drainage Area: 00000  
 Area Of Opening: 000000  
 113 Scour Critical: U  
 116 Water Depth: 1.7 Br. Height: 20.6  
 122 Slope Protection: 5  
 121 Spur Dikes Rear: 0 Fwd: 0  
 119 Fender System: 0  
 120 Dolphin: 0  
 123 Culvert Cover: 000  
 Type: 0  
 No. Barrels: 0  
 Width: 0.00 Height: 0.00  
 Length: 0 Apron: 0  
 165 U/W Insp. Area: 0 Diver: ZZZ  
 Location I.D. No.: 089-01887X-000.29W

(4007-5) 5TD-11

Report Date: 11/28/2012

SIA-2

# GEORGIA DEPARTMENT OF TRANSPORTATION

## Bridge Inspection Report

**District:** 7  
**Bridge Inspector:** Jeramy Durrence  
**Location ID:** 089-01887X-000.29W  
**Structure ID:** 089-5060-0

**Inspection Date:** 8/17/2012  
**Over:** NANCY CREEK  
**County:** DeKalb  
**Road Name:** MILL CREEK ROAD

**Inspection Area:** 07  
**Bridge Status:** 06

### EVALUATION & DEFICIENCIES

**SubStructure:**

Abutments # 1 & 5 are concrete caps. H - 15 design.  
 Bents # 2,3 & 4 are concrete caps on driven steel piles.  
 Substructure H-8-Caculated Central Office (Load Rate) November 2011 lack of sway bracing Bt. 3 11/28/12-gmc  
 All H - piles have corrosion and minor section loss. 0.0625" or less.  
 Bent # 3 and #4 is in channel and needs to be encased.  
 Old abutment left in place right forward of bent # 3 is causing bank scour extending to bent # 4.

**Year Painted:** 1965

**SuperStructure:**

Four spans with (4) 20 1/2"D x 18"W concrete T - beams spaced at 8.0'. H - 15 design.  
 Minor deflection cracks in beams.

**Year Painted:** 0000

**Deck:**

6.5" Concrete deck with minor transverse deck cracks. H - 15 design.  
 All deck joints failed.

**General:**

Built in 1965. H - 15 design. Project # Unknown.  
 This bridge is in overall fair condition.  
 Sub rated due to lack of bracing pile Bt. 3-propose project.  
 Minor vegetation growing over the right handrail.  
 Major drift @ bent 3.

- Repairs : Clean and paint all H - piles.  
 : Encase piles at bent # 3 and 4 in channel.  
 : Seal all deck joints.

**Condition Rating**

Temp Shored: No

Component	Material	Rating	Truck Type	Gross/H-Mod	HSMMod	Tand	3-S-2	Log	Piggy
Substructure	Concrete,steel	6	Calculated Posting	10	00	00	00	00	00
Superstructure	Concrete	7	Posting Required	No	No	No	No	No	No
Deck	Concrete	7	Existing Posting	00	00	00	00	00	00

\*\*\*School Bus Route.\*\*\*

Structure Requires Posting

Report Date: 11/28/2012

B.I. - 1

(4001-C) STD-12

# GEORGIA DEPARTMENT OF TRANSPORTATION

## Waterway Report

**District:** 7  
**Bridge Inspector:** Jeremy Durrence  
**Location ID:** 089-01887X-000.29W  
**Structure ID:** 089-5060-0  
**Inspection Date:** 8/17/2012  
**Over:** NANCY CREEK  
**County:** DeKalb  
**Road Name:** MILL CREEK ROAD  
**Inspection Area:** 07  
**Skew:** 30

<b>Span #:</b>	1	2	3	4
<b>Length:</b>	33.0	33.0	33.0	33.0

Upstream -

	1	2	3	4	5
07/01/1998 DAS,JPT	4.80	11.40	18.70	12.00	5.20
07/18/2000 DAS,LEU	4.80	11.40	18.70	12.00	5.20
09/03/2002 DAS,GKK	4.80	11.50	18.70	12.10	5.20
10/04/2004 DAS,GKK	4.80	11.50	18.80	12.20	5.20
08/08/2006 DAS,GKK	4.70	16.40	17.30	11.20	4.80
01/20/2009 JTE	4.70	16.50	17.30	11.20	4.40
09/15/2010 JPD,LJM	3.40	10.00	19.30	19.00	4.40
08/17/2012 JPD,LJM	3.50	13.00	19.50	19.50	4.40
	3.60	13.00	19.60	19.20	4.40

Downstream -

	1	2	3	4	5
07/01/1998 DAS,JPT	4.30	10.00	17.80	11.40	4.20
07/18/2000 DAS,LEU	4.30	10.00	17.20	11.50	4.20
09/03/2002 DAS,GKK	4.30	9.90	17.80	11.40	4.20
10/04/2004 DAS,GKK	4.30	13.40	17.20	11.50	4.20
08/08/2006 DAS,GKK	4.30	10.00	17.80	11.40	4.20
01/20/2009 JTE	4.30	13.50	17.30	11.50	4.30
	5.30	12.00	19.00	19.00	5.60
		17.20	18.00	18.00	18.00

Report Date: 11/28/2012

(4007-7) 570-13

# GEORGIA DEPARTMENT OF TRANSPORTATION

## Waterway Report

**District:** 7  
**Bridge Inspector:** Jeremy Durrence  
**Location ID:** 089-01887X-000.29W  
**Structure ID:** 089-5060-0

**Inspection Date:** 8/17/2012  
**Over:** NANCY CREEK  
**County:** DeKalb  
**Road Name:** MILL CREEK ROAD  
**Inspection Area:** 07  
**Skew:** 30

	1	2	3	4	5
09/15/2010 JPD,LJM	5.30	12.00	17.90	19.00	5.60
08/17/2012 JPD,LJM	5.30	17.30	18.50	18.00	5.40
	5.30	12.00	17.80	18.60	5.40
		17.40	18.60	18.00	

(6207-8) STD-14

Report Date: 11/28/2012

W - 2

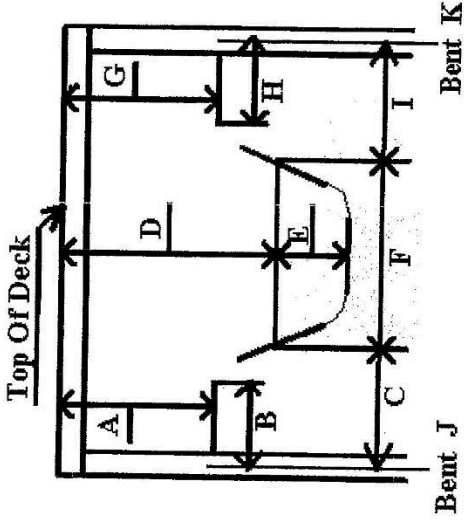
**GEORGIA DEPARTMENT OF TRANSPORTATION**

*Waterway Report*

District: 7  
 Bridge Inspector: Jeremy Durrence  
 Location ID: 089-01887X-000.29W  
 Structure ID: 089-5060-0

Inspection Date: 8/17/2012  
 Over: NANCY CREEK  
 County: DeKalb  
 Road Name: MILL CREEK ROAD

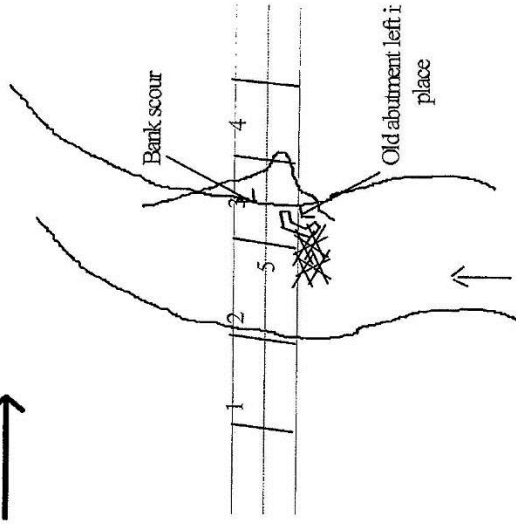
Inspection Area: 07  
 Skew: 30



**Side view at the Channel.**

B, C, H, & I are measured to center of bent or E.F.P.R.

Direction Of Inventory →



- A: 12
- B: 30
- C: 46
- D: 20.6
- E: 1.7
- F: 39
- G: 10
- H: 21
- I: 47
- J: 1
- K: 5

Location of Bridge Height 16' forward bent 3

Scour Condition: 6      Waterway Adequacy: 7      Channel Protection: 5

Comments:  
None.

30 = SubStructure  
 10 = Channel Skew  
 20 = Stream Angle

(G807-9) STD-15

Report Date: 11/28/2012

W - 3

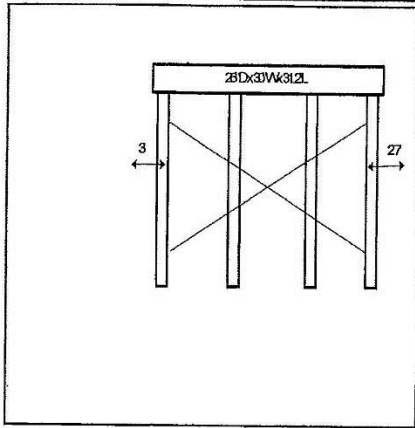
## GEORGIA DEPARTMENT OF TRANSPORTATION

### SubStructure Report

District: 7  
 Bridge Inspector: Jeremy Durrence  
 Location ID: 089-01887X-000.29W  
 Structure ID: 089-5060-0

Inspection Date: 8/17/2012  
 Over: NANCY CREEK  
 County: DeKalb  
 Road Name: MILL CREEK ROAD

Inspection Area: 07  
 Skew: 30



Bent #:	2		Picture Type:	4	
Deck:	Material: Concrete	Width: 34.00	Depth: 7.00	Plank: 0.00	
Cap:	Material: Cast-In-Place				
Beam:	<u>FWD</u>	<u>REAR</u>	<u>FWD</u>	<u>REAR</u>	
	Material: Concrete	Concrete	Width:	18.00	18.00
			Depth:	20.50	20.50
Steel Beam:	<u>FWD</u>	<u>REAR</u>	<u>Yr-Fab</u>		
	Weight (#/ft):	0	0	1965	
	SX (in3):	0	0		

**Piles:**

# of Piles: 4                      Super Structure Height (ft.): 5.00  
 Overburden  
 Soil (in.): 0.00                      Asphalt (in.): 0.00

<u>Pile</u>	<u>Designation</u>	<u>Defect Loc</u>	<u>SX Loss</u>	<u>Unbrace</u>	<u>Condition</u>	<u>Length</u>	<u>Spacing</u>
1	HP12X53	Ground line	0.00	11.00	Satisfactory	12.00	8.50
2	HP12X53	Ground line	0.00	4.00	Satisfactory	10.40	8.50
3	HP12X53	Ground line	0.00	4.40	Satisfactory	10.00	8.50
4	HP12X53	Ground line	0.00	8.00	Satisfactory	9.00	0.00

**Comments:**

Report Date: 11/28/2012

SubStructure - 1

(61007-10) STD-16



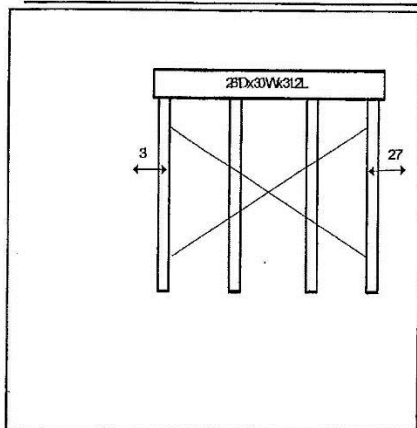
## GEORGIA DEPARTMENT OF TRANSPORTATION

*SubStructure Report*

District: 7  
 Bridge Inspector: Jeremy Durrence  
 Location ID: 089-01887X-000.29W  
 Structure ID: 089-5060-0

Inspection Date: 8/17/2012  
 Over: NANCY CREEK  
 County: DeKalb  
 Road Name: MILL CREEK ROAD

Inspection Area: 07  
 Skew: 30



<b>Bent #:</b> 3	<b>Picture Type:</b> 4		
<b>Deck:</b>			
Material: Concrete	Width: 34.00	Depth: 7.00	Plank: 0.00
<b>Cap:</b>			
Material: Cast-In-Place			
<b>Beam:</b>	<u>FWD</u>	<u>REAR</u>	
Material: Concrete	Concrete		
	<u>FWD</u>	<u>REAR</u>	
Width:	18.00	18.00	
Depth:	20.50	20.50	
<b>Steel Beam:</b>	<u>FWD</u>	<u>REAR</u>	<u>Yr-Fab</u>
Weight (#/ft):	0	0	1965
SX (in3):	0	0	

**Piles:**

# of Piles: 4	Super Structure Height (ft.): 5.00
<b>Overburden</b>	
Soil (in.): 0.00	Asphalt (in.): 0.00

<u>Pile</u>	<u>Designation</u>	<u>Defect Loc</u>	<u>SX Loss</u>	<u>Unbrace</u>	<u>Condition</u>	<u>Length</u>	<u>Spacing</u>
1	HP12X53	Ground line	0.00	12.50	Satisfactory	14.00	8.50
2	HP12X53	Ground line	0.00	5.80	Satisfactory	13.50	8.50
3	HP12X53	Ground line	0.00	6.30	Satisfactory	14.30	8.50
4	HP12X53	Ground line	0.00	11.00	Satisfactory	15.00	0.00

**Comments:**

Report Date: 11/28/2012

SubStructure - 2

(6007-11) STD-17

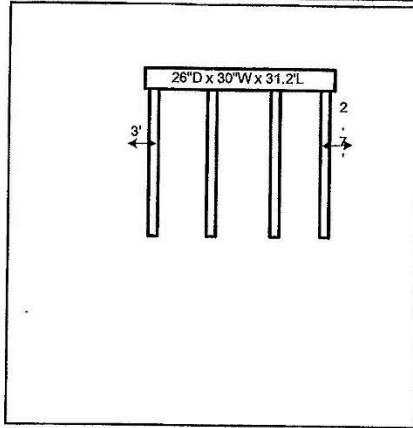
## GEORGIA DEPARTMENT OF TRANSPORTATION

### SubStructure Report

District: 7  
 Bridge Inspector: Jeramy Durrence  
 Location ID: 089-01887X-000.29W  
 Structure ID: 089-5060-0

Inspection Date: 8/17/2012  
 Over: NANCY CREEK  
 County: DeKalb  
 Road Name: MILL CREEK ROAD

Inspection Area: 07  
 Skew: 30



Bent #: 4 Picture Type: 4  
 Deck:  
 Material: Concrete Width: 34.00 Depth: 7.00 Plank: 0.00  
 Cap:  
 Material: Cast-In-Place  
 Beam:  

	<u>FWD</u>	<u>REAR</u>	<u>FWD</u>	<u>REAR</u>
Material: Concrete		Concrete	Width: 18.00	18.00
			Depth: 20.50	20.50

 Steel Beam:  

	<u>FWD</u>	<u>REAR</u>	<u>Yr-Fab</u>
Weight (#/ft):	0	0	1965
SX (in3):	0	0	

**Piles:**

# of Piles: 4 Super Structure Height (ft.): 5.00  
 Overburden  
 Soil (in.): 0.00 Asphalt (in.): 0.00

<u>Pile</u>	<u>Designation</u>	<u>Defect Loc</u>	<u>SX Loss</u>	<u>Unbrace</u>	<u>Condition</u>	<u>Length</u>	<u>Spacing</u>
1	HP12X53	Ground line	0.00	15.00	Satisfactory	15.00	8.50
2	HP12X53	Ground line	0.00	14.80	Satisfactory	14.80	8.50
3	HP12X53	Ground line	0.00	14.00	Satisfactory	14.00	8.50
4	HP12X53	Ground line	0.00	13.50	Satisfactory	13.50	0.00

Comments:

Report Date: 11/28/2012

SubStructure - 3

(6007-12) STD-18

# GEORGIA DEPARTMENT OF TRANSPORTATION

## Bridge Component Report

District: 7  
 Bridge Inspector: Jeremy Durrence  
 Location ID: 089-01887X-000.29W  
 Structure ID: 089-5060-0  
 Inspection Date: 8/17/2012  
 Over: NANCY CREEK  
 County: DeKalb  
 Road Name: MILL CREEK ROAD  
 Inspection Area: 07

### SubStructure Data

Beam#	Type	Foundation	Col	#Cols	Piling	#Piles	Sway	CAP	Remarks
1	A	DP		0		0		C	
2	B	DP		0	S	4	X	C	
3	B	DP		0	S	4	X	C	
4	B	DP		0	S	4		C	
5	A	DP		0		0		C	

### SuperStructure Data

Span#	Beam Type	Spacing	Length	#Beams	Remarks
1	Concrete T- beams	8.00	33.00	4	20.5"DX18"W
2	Concrete T- beams	8.00	33.00	4	20.5"DX18"W
3	Concrete T- beams	8.00	33.00	4	20.5"DX18"W
4	Concrete T- beams	8.00	33.00	4	20.5"DX18"W

### Bearing Data

Span#	Rear Type Bearing	FWD Type Bearing	Remarks
1	08 - Beam on Cap	08 - Beam on Cap	
2	08 - Beam on Cap	08 - Beam on Cap	
3	08 - Beam on Cap	08 - Beam on Cap	
4	08 - Beam on Cap	08 - Beam on Cap	

(GDOT-13) STD-19

Report Date: 11/28/2012

Bridge Component - 1